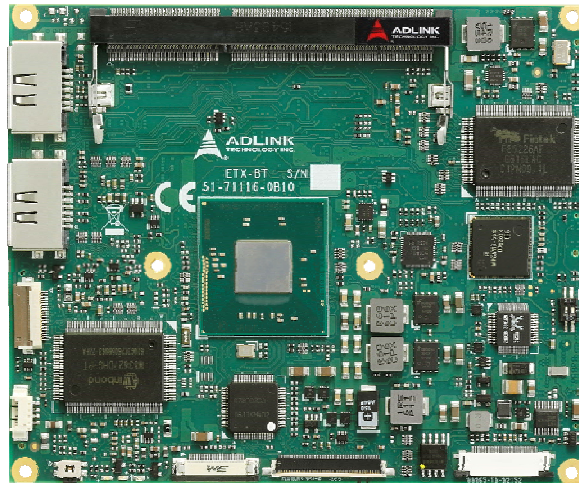


# ETX

## ETX-BT User's Manual (PATA to SATA version)



Manual Revision: 1.4  
Revision Date: January 11, 2022  
Part Number: 50M-00061-1070

# Preface

**Copyright © 2015-2019, 2022 ADLINK Technology, Inc.**

This document contains proprietary information protected by copyright. All rights are reserved. No part of this manual may be reproduced by any mechanical, electronic, or other means in any form without prior written permission of the manufacturer.

## **Disclaimer**

The information in this document is subject to change without prior notice in order to improve reliability, design, and function and does not represent a commitment on the part of the manufacturer. In no event will the manufacturer be liable for direct, indirect, special, incidental, or consequential damages arising out of the use or inability to use the product or documentation, even if advised of the possibility of such damages.

## **Environmental Responsibility**

ADLINK is committed to fulfill its social responsibility to global environmental preservation through compliance with the European Union's Restriction of Hazardous Substances (RoHS) directive and Waste Electrical and Electronic Equipment (WEEE) directive. Environmental protection is a top priority for ADLINK. We have enforced measures to ensure that our products, manufacturing processes, components, and raw materials have as little impact on the environment as possible. When products are at their end of life, our customers are encouraged to dispose of them in accordance with the product disposal and/or recovery programs prescribed by their nation or company.

## **California Proposition 65 Warning**



**WARNING:** This product can expose you to chemicals including acrylamide, arsenic, benzene, cadmium, Tris(1,3-dichloro-2-propyl)phosphate (TDCPP), 1,4-Dioxane, formaldehyde, lead, DEHP, styrene, DINP, BBP, PVC, and vinyl materials, which are known to the State of California to cause cancer, and acrylamide, benzene, cadmium, lead, mercury, phthalates, toluene, DEHP, DIDP, DnHP, DBP, BBP, PVC, and vinyl materials, which are known to the State of California to cause birth defects or other reproductive harm. For more information go to [www.P65Warnings.ca.gov](http://www.P65Warnings.ca.gov).

## **Trademarks**

Product names mentioned herein are used for identification purposes only and may be trademarks and/or registered trademarks of their respective companies.

## Revision History

Revision	Description	Date	By
1.00	Initial release	2015-03-18	JC
1.01	Correct SPI Boot Device Switch settings	2015-05-07	JC
1.02	Correct SPI Boot Device settings; SPI0 fail-safe as default	2015-06-12	JC
1.03	Correct LPC-to-ISA bridge in block diagram	2015-12-16	JC
1.10	Updated for PATA to SATA version; BIOS chapter updated	2017-02-06	JC
1.2	Updated functional diagram, specifications, signal descriptions, BIOS	2018-01-15	JC
1.3	Update memory support from 4GB to 8GB	2019-07-03	JC
1.4	Update GbE controller specification	2022-01-11	JC

# Table of Contents

<b>Preface</b> .....	<b>2</b>
<b>1 Introduction</b> .....	<b>6</b>
1.1 Description .....	6
<b>2 Specifications</b> .....	<b>7</b>
2.1 General .....	7
2.2 Video .....	8
2.3 Audio .....	8
2.4 Ethernet .....	9
2.5 Multi I/O and Storage .....	9
2.6 Super I/O .....	9
2.7 SEMA Board Controller .....	10
2.8 Power .....	11
2.9 Mechanical and Environmental .....	11
2.10 Operating Systems Support .....	11
<b>3 Functional Diagram</b> .....	<b>12</b>
<b>4 Mechanical Dimensions</b> .....	<b>13</b>
<b>5 Pinouts and Signal Descriptions</b> .....	<b>14</b>
5.1 X1: PCI Bus, USB, Audio .....	14
5.2 X2: ISA .....	17
5.3 X3: LVDS, Serial, Parallel, KB, MS .....	20
5.4 X4: IDE 1, IDE 2, Ethernet, Miscellaneous .....	23
<b>6 Module Interfaces</b> .....	<b>26</b>
6.1 Connector, Switch and LED Locations .....	26
6.2 40-pin Multipurpose Connector .....	28
6.3 Status LEDs .....	29
6.4 XDP Debug Header .....	30
6.5 DP Connector .....	31
6.6 Fan Connector .....	32
6.7 GbE Connector .....	33
6.8 SW1: SPI Boot Device Selection .....	34
6.9 SW2: BIOS Setup Defaults RESET Button .....	35
6.10 SW4: PCI Interrupt Routing Select .....	36
6.11 SW3: PCI Voltage Level Selection .....	36

<b>7</b>	<b>SEMA (Smart Embedded Management Agent)</b> .....	<b>37</b>
7.1	Board Specific SEMA Functions .....	38
<b>8</b>	<b>System Resources</b> .....	<b>42</b>
8.1	System Memory Map .....	42
8.2	I/O Map .....	42
8.3	Interrupt Request (IRQ) Lines .....	43
8.4	PCI Configuration Space Map.....	45
8.5	PCI Interrupt Routing Map .....	46
8.6	SMBus Address Table .....	47
8.7	I <sup>2</sup> C Address Table .....	47
<b>9</b>	<b>BIOS Setup</b> .....	<b>48</b>
9.1	Menu Structure .....	48
9.2	Main .....	49
9.3	Advanced .....	54
9.4	Security .....	66
9.5	Boot .....	67
9.6	Save & Exit .....	68
	<b>Safety Instructions</b> .....	<b>69</b>
	<b>Getting Service</b> .....	<b>70</b>

# 1 Introduction

## 1.1 Description

The ETX-BT is based on the latest Intel Atom® processor E3800 SoC series, adopting the latest 22nm process technology with 3-D Tri-Gate transistors featuring significant improvements in computational performance and energy efficiency. The E3800 SOC series integrates processor- and GPU cores and all I/O on a single chip. Processor performance is scalable from a single-core Intel Atom® processor E3815 at 1.4GHz to a quad-core Intel Atom® processor E3845 at 1.9GHz. Two quad-core Intel® Celeron® processors, based on the same microarchitecture, are also available.

The module supports a single SODIMM for up to 8GB of DDR3L system memory and comes with integrated support for high resolution VGA and single/dual channel LVDS. Optionally, a third display can be connected through an onboard flat cable connector. The ETX-BT's graphics core supporting two independent displays easily outperforms earlier ETX module generations. Being a drop in replacement for older ETX modules, the ETX-BT fully supports all typical legacy interfaces of the ETX form factor such as: up to two PATA IDE with Master only, ISA-bus, PCI-bus, serial/parallel ports and Intel based 10/100Mbps LAN. As a way to migrate away from legacy PATA flash devices, the module offers an optional soldered SATA-based SSD with a capacity of 2 to 64 GB.

## 2 Specifications

### 2.1 General

► **CPU:** Single, dual or quad-core Intel Atom® or Celeron® processor

- Intel Atom® E3845 1.91 GHz 542/792 (Turbo) 10W (4C/1333)
- Intel Atom® E3827 1.75 GHz 542/792 (Turbo) 8W (2C/1333)
- Intel Atom® E3826 1.46 GHz 533/667 (Turbo) 7W (2C/1066)
- Intel Atom® E3825 1.33 GHz 533 (No Turbo) 6W (2C/1066)
- Intel Atom® E3805 1.33 GHz 533 (No Turbo, No Graphics) 4W (2C/1066)
- Intel Atom® E3815 1.46 GHz 400 (No Turbo) 5W (1C/1066)
- Celeron® N2930 1.83 GHz, 688/854 (Turbo) 7.5W (4C/1333)
- Celeron® J1900 2 GHz, 688/854 (Turbo) 10W (4C/1333)
- Celeron® N2807 1.58 GHz 313/750 (Turbo) 4.5W (2C/1333)

**Supporting:** Single, dual or quad Out-of-Order Execution (OOE) processor cores, Intel® VT-x, Intel® SSE4.1 and SSE4.2, Intel® 64 architecture, IA 32-bit , PCLMULQDQ Instruction DRNG, Intel® Thermal Monitor (TM1 & TM2)

**Note:** Availability of features may vary between processor SKUs.

► **Memory:** Single SODIMM socket for up to 8GB non-ECC 1333/1066 MHz DDR3L memory

► **Embedded BIOS:** AMI EFI with CMOS backup in 8MB SPI BIOS

► **Expansion Busses**

- PCI 32-bit rev 2.3 at 33 MHz supporting 4 bus masters
- ISA 16-bit (through LPC-ISA bridge), no DMA support
- SMBus (system) , I<sup>2</sup>C (user)

► **SEMA Board Controller:** supporting voltage/current monitoring, power sequence, debug support, AT/ATX mode control, logistics and forensic information, flat panel control, general purpose I<sup>2</sup>C, watchdog timer

► **Debug Headers:** 40-pin multipurpose flat cable connector for use in combination with DB-40 debug module providing BIOS POST code LEDs, BMC access, SPI BIOS flashing, power test points, debug LEDs

## 2.2 Video

- ▶ **Graphics Core:** Intel 7th generation (Gen 7) graphics and media encode/decode engine  
(not supported on Atom® E3805 SKU)
- ▶ **Feature Support:**
  - VED video decoder in addition to Gen 7 media decoder
  - Graphics Burst enabled through energy counters
  - Supports DX 11, OpenGL 3.0 (OGL 3.0), OpenCL 1.1 (OCL 1.1), OpenGLES 2.0 (OGLES 2.0)
  - GPU shader capable of up to 8 gigaflops, 4x anti-aliasing
  - Full HW acceleration for decode of H.264, MPEG2, MVC, VC-1, VP8, MJPEG
  - Full HW acceleration for encode of H.264, MPEG2, MVC
  - Supports 2.0 Stereoscopic 3D Stretch and Polyphase 8 tap scaling
- ▶ **Multi Display Support:** 2 independent displays
- ▶ **Display Types**
  - **VGA:** 2560 x 1600@60Hz, 24bpp
  - **LVDS:** single/dual channel 18/24-bit LVDS (supports DE, HSYNC and VSYNC)
  - **DisplayPort:** 4 lanes routed to a 22-pin flat panel connector on board edge

## 2.3 Audio

- ▶ **Chipset:** Intel® HD Audio integrated in SOC
- ▶ **Audio Codec:** Realtek ALC 262, 4-channel High Definition Audio

## 2.4 Ethernet

- ▶ **Type:** Intel® Ethernet Controller I211/I210 (MAC/PHY)
- ▶ **Interface:** 10/100 Mbps on ETX signal connector  
(build option for 1000/100/10 Mbps via FPC connector on module, only one output can be active at a time)

## 2.5 Multi I/O and Storage

- ▶ **USB:** 4 ports USB 2.0/1.1
- ▶ **PATA:** up to two PATA IDE with Master only support by SATA-to-PATA controller
  - Supports PIO / MDMA / UDMA modes  
(ETX module maximum sustainable speed mode is UDMA2)
  - Following modes are examples of what can be supported.  
Note: Except for defaults, these are build options that require special part numbers.

Port	Function			
1	PATA (default)	PATA	SATA	SATA
2	SATA (default)	PATA	PATA	SATA SSD

(When a SATA port is not supported the designated interface connector is removed.)

- ▶ **SATA:** 2 SATA 3Gb/s ports (shared with PATA, see above)
- ▶ **SATA SSD:** optional SATA SSD 2-64 GB onboard (occupies second external SATA port)

## 2.6 Super I/O

- ▶ **Chipset:** Nuvoton W83627DHG-PT
- ▶ **Serial:** 2 high speed RS-232C ports (COM1/COM2)
- ▶ **IrDA:** supports IrDA 1.0 SIR protocol or Sharp ASK-IR protocol
- ▶ **Parallel:** SPP, and EPP mode support (no DMA support)

- ▶ **Floppy:** not supported (no DMA support on SoC)
- ▶ **PS/2:** Keyboard /Mouse

## 2.7 SEMA Board Controller

- ▶ **Type:** BMC uPD78F0763GB
- ▶ **Functions**
  - Power Features
    - AT mode control
    - Emergency shutdown
    - Power status monitoring and signalling (LED), current monitor
    - ECO mode support
  - Flat Panel Control
    - Additional DDC I2C bus control for PWM control on carrier
    - LVDS brightness PWM output switchable by BIOS with GPU PWM output
    - Vdde inhibit
    - Backlight Enable inhibit (needs external AND gate)
  - General Purpose I2C
    - Supports 100/200/400 speed selectable in BIOS
    - Voltage and thermal monitors connected to this bus
- ▶ **Failsafe BIOS** (dual BIOS parts)
- ▶ **Watchdog Timer**
- ▶ **SMART Fan Control** (single fan)

## 2.8 Power

- ▶ **Standard Input:** ATX = 5V±5% / 5Vsb ±5% or AT = 5V±5%
- ▶ **Management:** ACPI 4.0 compliant, Smart Battery support
- ▶ **Power States:** C0, C1, C1E, C4, C6; S0, S3, S4, S5 (Wake on USB S3/S4,WOL S3/S4/S5)
- ▶ **ECO mode:** supports deep S5 (ECO mode) for power saving

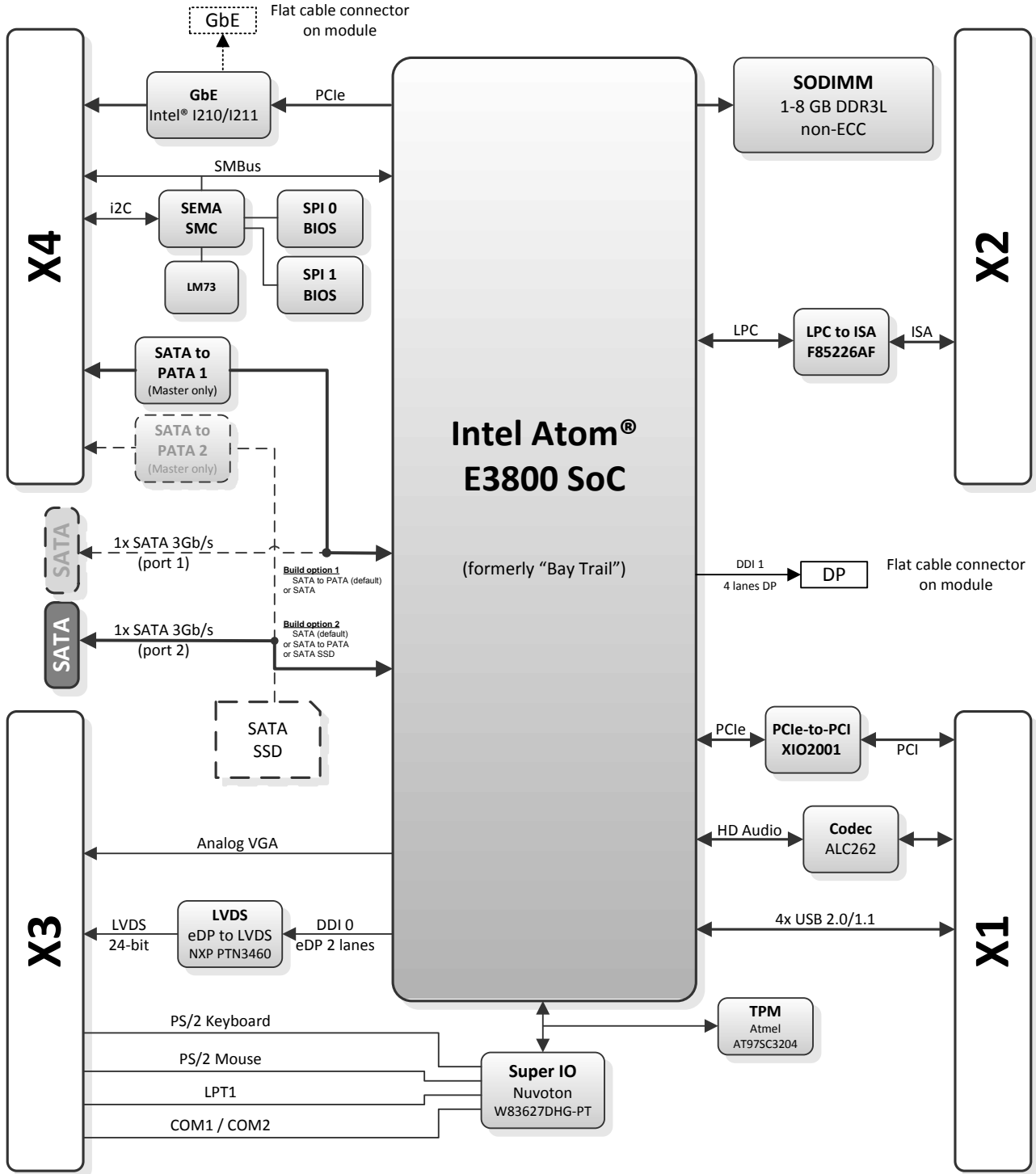
## 2.9 Mechanical and Environmental

- ▶ **Form Factor :** ETX Rev 3.02
- ▶ **Dimension:** 114 mm x 95 mm
- ▶ **Standard Operating Temperature:** 0°C to +60°C
- ▶ **Screened Extreme Rugged™ Operating Temperature:** -40°C to +85°C (optional)
- ▶ **Humidity:** 5-90% RH operating, non-condensing  
5-95% RH storage (operating with conformal coating)
- ▶ **Shock and Vibration:** IEC 60068-2-64 and IEC-60068-2-27  
MIL-STD-202F, Method 213B, Table 213-I, Condition A  
and  
Method 214A, Table 214-I, Condition D
- ▶ **HALT Tested:** Thermal Stress, Vibration Stress, Thermal Shock and Combined Test
- ▶ **MTBF:** MIL-HDBK-217 FN2 models; Environment: GB, GC - Ground Benign, Controlled  
Temperature: 85°C: MTBF=79,548 hrs  
Temperature: 40°C : MTBF=278,025 hrs

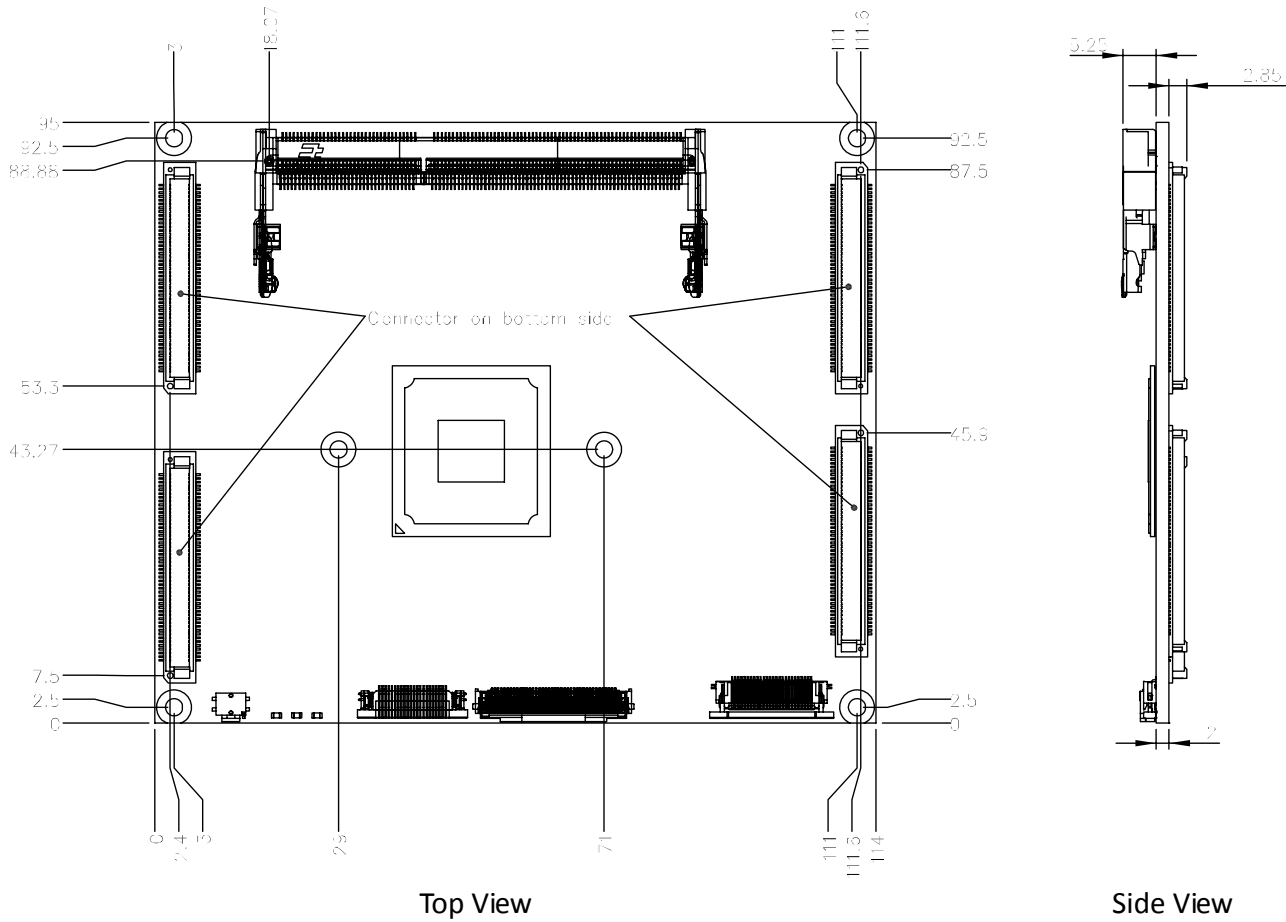
## 2.10 Operating Systems Support

- ▶ **Standard OS Support:** Windows 7, Windows 8.1 and Windows 10 at 32/64-bit, Linux 32/64-bit
- ▶ **Extended Support (BSP):** WES7/8 32-bit, WEC7/8, Linux, VxWorks, QNX

# 3 Functional Diagram



# 4 Mechanical Dimensions



All  $\varnothing$  tolerances  $\pm 0.05$  mm  
 Other tolerances  $\pm 0.2$  mm

# 5 Pinouts and Signal Descriptions



Crossed-out signals are not supported.



3V (3.3 V ±5%) is generated on board. Pins may be used to power devices on the carrier board up to a maximum load of 500 mA.



**Do not connect the 3V pin to external 3.3V supply power.**

## 5.1 X1: PCI Bus, USB, Audio

Pin	Signal	Pin	Signal
1	GND	2	GND
3	PCICLK3	4	PCICLK4
5	GND	6	GND
7	PCICLK1	8	PCICLK2
9	REQ3#	10	GNT3#
11	GNT2#	12	3V
13	REQ2#	14	GNT1#
15	REQ1#	16	3V
17	GNT0#	18	RESERVED
19	VCC	20	VCC
21	SERIRQ	22	REQ0#
23	AD0	24	3V
25	AD1	26	AD2
27	AD4	28	AD3
29	AD6	30	AD5
31	CBE0#	32	AD7
33	AD8	34	AD9
35	GND	36	GND
37	AD10	38	AUXAL
39	AD11	40	MIC
41	AD12	42	AUXAR
43	AD13	44	ASVCC
45	AD14	46	SNDL
47	AD15	48	ASGND
49	CBE1#	50	SNDR

Pin	Signal	Pin	Signal
51	VCC	52	VCC
53	PAR	54	SERR#
55	GPERR#	56	RESERVED
57	PME#	58	USB2-
59	LOCK#	60	DEVSEL#
61	TRDY#	62	USB3-
63	IRDY#	64	STOP#
65	FRAME#	66	USB2+
67	GND	68	GND
69	AD16	70	CBE2#
71	AD17	72	USB3+
73	AD19	74	AD18
75	AD20	76	USB0-
77	AD22	78	AD21
79	AD23	80	USB1-
81	AD24	82	CBE3#
83	VCC	84	VCC
85	AD25	86	AD26
87	AD28	88	USB0+
89	AD27	90	AD29
91	AD30	92	USB1
93	PCIRST#	94	AD31
95	INTC#	96	INTD#
97	INTA#	98	INTB#
99	GND	100	GND

## X1 Signal Descriptions

Pin	Signal	Description	Type	PU/PD	Comment
1	GND	Ground	PWR	-	-
2	GND	Ground	PWR	-	-
3	PCICLK3	PCI Clock Slot 3	O-3,3	-	-
4	PCICLK4	PCI Clock Slot 4	O-3,3	-	-
5	GND	Ground	PWR	-	-
6	GND	Ground	PWR	-	-
7	PCICLK1	PCI Clock Slot 1	O-3,3	-	-
8	PCICLK2	PCI Clock Slot 2	O-3,3	-	-
9	REQ3#	PCI Bus Request 3	I-3,3	PU 8k2 3,3V	-
10	GNT3#	PCI Bus Grant 3	O-3,3	-	-
11	GNT2#	PCI Bus Grant 2	O-3,3	-	-
12	3V	Power +3,3V	PWR	-	-
13	REQ2#	PCI Bus Request 2	I-3,3	PU 8k2 3,3V	-
14	GNT1#	PCI Bus Grant 1	O-3,3	-	-
15	REQ1#	PCI Bus Request 1	I-3,3	PU 4K to 3V3	Before level shifter, only measurable when energized
16	3V	Power +3,3V	PWR	PU 8.2K to 3.3V	Only measurable when switch is energized
17	GNT0#	PCI Bus Grant 0	O-3,3	-	-
18	RESERVED		NC	-	-
19	5VCC	Power +5V	PWR	-	-
20	5VCC	Power +5V	PWR	-	-
21	SERIRQ	Serial Interrupt Request	IO-3,3	PU 8k2 3,3V	-
22	REQ0#	PCI Bus Request 0	I-3,3	PU 8k2 3,3V	-
23	AD0	PCI Address & Data Bus line	IO-3,3	-	-
24	3V	Power +3,3V	PWR	-	-
25	AD1	PCI Address & Data Bus line	IO-3,3	-	-
26	AD2	PCI Address & Data Bus line	IO-3,3	-	-
27	AD4	PCI Address & Data Bus line	IO-3,3	-	-
28	AD3	PCI Address & Data Bus line	IO-3,3	-	-
29	AD6	PCI Address & Data Bus line	IO-3,3	-	-
30	AD5	PCI Address & Data Bus line	IO-3,3	-	-
31	CBE0#	PCI Bus Command and Byte enables 0	IO-3,3	-	-
32	AD7	PCI Address & Data Bus line	IO-3,3	-	-
33	AD8	PCI Address & Data Bus line	IO-3,3	-	-
34	AD9	PCI Address & Data Bus line	IO-3,3	-	-
35	GND	Ground	PWR	-	-
36	GND	Ground	PWR	-	-
37	AD10	PCI Address & Data Bus line	IO-3,3	-	-
38	AUXAL	Auxiliary Line Input Left	I	-	-
39	AD11	PCI Address & Data Bus line	IO-3,3	-	-
40	MIC	Microphone Input	I	-	-
41	AD12	PCI Address & Data Bus line	IO-3,3	-	-
42	AUXAR	Auxiliary Line Input Right	I	-	-
43	AD13	PCI Address & Data Bus line	IO-3,3	-	-
44	ASVCC	Analog Supply of Sound Controller	O-5	-	-
45	AD14	PCI Address & Data Bus line	IO-3,3	-	-
46	SNDL	Audio Out Left	O	-	-
47	AD15	PCI Address & Data Bus line	IO-3,3	-	-
48	ASGND	Analog Ground of Sound Controller	P	-	-

Pin	Signal	Description	Type	PU/PD	Comment
49	CBE1#	PCI Bus Command and Byte enables 1	IO-3,3	-	-
50	SNDR	Audio Out Right	O	-	-
51	5VCC	Power +5V	PWR		
52	5VCC	Power +5V	PWR		
53	PAR	PCI Bus Parity	IO-3,3		
54	SERR#	PCI Bus System Error	IO-3,3	PU 8k2 3,3V	
55	GPERR#	PCI Bus Grant Error	IO-3,3	PU 8k2 3,3V	
56	RESERVED		NC	-	
57	PME#	PCI Power Management Event	IO-3,3	PU 10k 3.3VSB	-
58	USB2N	USB Data- Port2	I/O - DP		
59	LOCK#	PCI Bus Lock	IO-3,3	PU 8k2 3,3V	
60	DEVSEL#	PCI Bus Device Select	IO-3,3	PU 8k2 3,3V	
61	TRDY#	PIC Bus Target Ready	IO-3,3	PU 8k2 3,3V	
62	USB3N	USB Data- Port3	I/O - DP		
63	IRDY#	PCI Bus Initiator Ready	IO-3,3	PU 8k2 3,3V	
64	STOP#	PCI Bus Stop	IO-3,3	PU 8k2 3,3V	
65	FRAME#	PCI Bus Cycle Frame	IO-3,3	PU 8k2 3,3V	
66	USB2P	USB Data+ Port2	I/O - DP		
67	GND	Ground	PWR		
68	GND	Ground	PWR		
69	AD16	PCI Address & Data Bus line	IO-3,3		
70	CBE2#	PCI Bus Command and Byte enables 2	IO-3,3		
71	AD17	PCI Address & Data Bus line	IO-3,3		
72	USB3P	USB Data+ Port3	I/O - DP		
73	AD19	PCI Address & Data Bus line	IO-3,3		
74	AD18	PCI Address & Data Bus line	IO-3,3		
75	AD20	PCI Address & Data Bus line	IO-3,3		
76	USB0N	USB Data- Port0	I/O - DP		
77	AD22	PCI Address & Data Bus line	IO-3,3		
78	AD21	PCI Address & Data Bus line	IO-3,3		
79	AD23	PCI Address & Data Bus line	IO-3,3		
80	USB1N	USB Data- Port1	I/O - DP		
81	AD24	PCI Address & Data Bus line	IO-3,3		
82	CBE3#	PCI Bus Command and Byte enables 3	IO-3,3		
83	5VCC	Power +5V	PWR		
84	5VCC	Power +5V	PWR		
85	AD25	PCI Address & Data Bus line	IO-3,3		
86	AD26	PCI Address & Data Bus line	IO-3,3		
87	AD28	PCI Address & Data Bus line	IO-3,3		
88	USB0P	USB Data+ Port0	I/O - DP		
89	AD27	PCI Address & Data Bus line	IO-3,3		
90	AD29	PCI Address & Data Bus line	IO-3,3		
91	AD30	PCI Address & Data Bus line	IO-3,3		
92	USB1P	USB Data+ Port1	I/O - DP		
93	PCIRST#	PCI Bus Reset	O-3,3		
94	AD31	PCI Address & Data Bus line	IO-3,3		
95	INTC#	PCI BUS Interrupt Request C	I-3,3	PU 8k2 3,3V	
96	INTD#	PCI BUS Interrupt Request D	I-3,3	PU 8k2 3,3V	
97	INTA#	PCI BUS Interrupt Request A	I-3,3	PU 8k2 3,3V	
98	INTB#	PCI BUS Interrupt Request B	I-3,3	PU 8k2 3,3V	
99	GND	Ground	PWR		
100	GND	Ground	PWR		

## 5.2 X2: ISA

Pin	Signal	Pin	Signal
1	GND	2	GND
3	SD14	4	SD15
5	SD13	6	MASTER#
7	SD12	8	DREQ7
9	SD11	10	DACK7#
11	SD10	12	DREQ6
13	SD9	14	DACK6#
15	SD8	16	DREQ5
17	MEMW#	18	DACK5#
19	MEMR#	20	DREQ0
21	LA17	22	DACK0#
23	LA18	24	IRQ14
25	LA19	26	IRQ15
27	LA20	28	IRQ12
29	LA21	30	IRQ11
31	LA22	32	IRQ10
33	LA23	34	IO16#
35	GND	36	GND
37	SBHE#	38	M16#
39	SA0	40	OSC
41	SA1	42	BALE
43	SA2	44	TC
45	SA3	46	DACK2#
47	SA4	48	IRQ3
49	SA5	50	IRQ4

Pin	Signal	Pin	Signal
51	VCC	52	VCC
53	SA6	54	IRQ5
55	SA7	56	IRQ6
57	SA8	58	IRQ7
59	SA9	60	SYCLK
61	SA10	62	REFSH#
63	SA11	64	DREQ1
65	SA12	66	DACK1#
67	GND	68	GND
69	SA13	70	DREQ3
71	SA14	72	DACK3#
73	SA15	74	IOR#
75	SA16	76	IOW#
77	SA18	78	SA17
79	SA19	80	SMEMR#
81	IOCHRDY	82	AEN
83	VCC	84	VCC
85	SD0	86	SMEMW#
87	SD2	88	SD1
89	SD3	90	NOWS#
91	DREQ2	92	SD4
93	SD5	94	IRQ9
95	SD6	96	SD7
97	IOCHK#	98	RSTDRV
99	GND	100	GND

## X2 Signal Descriptions

Pin	Signal	Description	Type	PU/PD	Comment
1	GND	Ground	PWR	-	-
2	GND	Ground	PWR	-	-
3	SD14	ISA Data Bus	IO*	PU 4k7 5V	int. PU 100k
4	SD15	ISA Data Bus	IO*	PU 4k7 5V	int. PU 100k
5	SD13	ISA Data Bus	IO*	PU 4k7 5V	int. PU 100k
6	MASTER#	ISA 16-Bit Master	I*	PU 8K2 5V	-
7	SD12	ISA Data Bus	IO*	PU 4k7 5V	int. PU 100k
8	DREQ7	ISA DMA Request 7	I*	PD 4k7 to GND	-
9	SD11	ISA Data Bus	IO*	PU 4k7 5V	int. PU 100k
10	DACK7#	ISA DMA Acknowledge 7	IO*	no PU/PD	int. PU 100k
11	SD10	ISA Data Bus	IO*	PU 4k7 5V	int. PU 100k
12	DREQ6	ISA DMA Request 6	I*	PD 4k7 to GND	-
13	SD9	ISA Data Bus	IO*	PU 4k7 5V	int. PU 100k
14	DACK6#	ISA DMA Acknowledge 6	IO*	no PU/PD	int. PU 100k
15	SD8	ISA Data Bus	IO*	PU 4k7 5V	int. PU 100k
16	DREQ5	ISA DMA Request 5	I*	PD 4k7 to GND	-
17	MEMW#	ISA Memory Write	IO*	PU 8k2 5V	int. PU 100k
18	DACK5#	ISA DMA Acknowledge 5	IO*	no PU/PD	int. PU 100k
19	MEMR#	ISA Memory Read	IO*	PU 8k2 5V	int. PU 100k
20	DREQ0	ISA DMA Request 0	I*	PD 4k7 to GND	-
21	LA17	ISA Address Bus (SA17)	O*	PU 4k7 5V	int. PU 100k
22	DACK0#	ISA DMA Acknowledge 0	IO*	no PU/PD	-
23	LA18	ISA Address Bus (SA18)	O*	PU 4k7 5V	int. PU 100k
24	IRQ14	ISA Interrupt Request 14 / ROMChip Select	IO*	PU 4k7 5V	-
25	LA19	ISA Address Bus (SA19)	O*	PU 4k7 5V	int. PU 100k
26	IRQ15	ISA Interrupt Request 15	IO*	PU 4k7 5V	-
27	LA20	ISA Address Bus (SA20)	O*	PU 4k7 5V	int. PU 100k
28	IRQ12	ISA Interrupt Request 12	IO*	PU 4k7 5V	-
29	LA21	ISA Address Bus (SA21)	O*	PU 4k7 5V	int. PU 100k
30	IRQ11	ISA Interrupt Request 11	IO*	PU 4k7 5V	-
31	LA22	ISA Address Bus (SA22)	O*	PU 4k7 5V	int. PU 100k
32	IRQ10	ISA Interrupt Request 10	IO*	PU 4k7 5V	-
33	LA23	ISA Address Bus (SA23)	O*	PU 4k7 5V	int. PU 100k
34	IO16#	ISA 16-Bit I/O Access	I*	PU 1K 5V	-
35	GND	Ground	PWR	-	-
36	GND	Ground	PWR	-	-
37	SBHE#	ISA System Byte High Enable	IO*	PU 4k7 5V	int. PU 100k
38	M16#	ISA 16-Bit Memory Access	IO*	PU 1K 5V	-
39	SA0	ISA Address Bus	O*	PU 4k7 5V	int. PU 100k
40	OSC	ISA Oscillator (CLK_ISA14#)	O-3,3	-	-
41	SA1	ISA Address Bus	O*	PU 4k7 5V	int. PU 100k
42	BALE	ISA Buffer Address Latch Enable	IO*	PD 4k7	int. PU 100k
43	SA2	ISA Address Bus	O*	PU 4k7 5V	int. PU 100k
44	TC	ISA Terminal Count	IO*	PD 4k7	-
45	SA3	ISA Address Bus	O*	PU 4k7 5V	int. PU 100k
46	DACK2#	ISA DMA Acknowledge 2	IO*	no PU/PD	-
47	SA4	ISA Address Bus	O*	PU 4k7 5V	int. PU 100k
48	IRQ3	ISA Interrupt Request 3	IO*	PU 4k7 5V	-
49	SA5	ISA Address Bus	O*	PU 4k7 5V	int. PU 100k
50	IRQ4	ISA Interrupt Request 4	IO*	PU 4k7 5V	-

Pin	Signal	Description	Type	PU/PD	Comment
51	5VCC	Power +5V	PWR	-	-
52	5VCC	Power +5V	PWR	-	-
53	SA6	ISA Address Bus	O*	PU 4k7 5V	int. PU 100k
54	IRQ5	ISA Interrupt Request 5	IO*	PU 4k7 5V	-
55	SA7	ISA Address Bus	O*	PU 4k7 5V	int. PU 100k
56	IRQ6	ISA Interrupt Request 6	IO*	PU 4k7 5V	-
57	SA8	ISA Address Bus	O*	PU 4k7 5V	int. PU 100k
58	IRQ7	ISA Interrupt Request 7	IO*	PU 4k7 5V	-
59	SA9	ISA Address Bus	O*	PU 4k7 5V	int. PU 100k
60	SYCLK	ISA Bus Clock (CLK_SYS_ISA)	O-3,3	-	-
61	SA10	ISA Address Bus	O*	PU 4k7 5V	int. PU 100k
62	REFSH#	ISA System Refresh Control	IO*	PU 1k 5V	int. PU 100k
63	SA11	ISA Address Bus	O*	PU 4k7 5V	int. PU 100k
64	DREQ1	ISA DMA Request 1	I*	PD 4k7 to GND	-
65	SA12	ISA Address Bus	O*	PU 4k7 5V	int. PU 100k
66	DACK1#	ISA DMA Acknowledge 1	IO*	no PU/PD	-
67	GND	Ground	PWR	-	-
68	GND	Ground	PWR	-	-
69	SA13	ISA Address Bus	O*	PU 4k7 5V	int. PU 100k
70	DREQ3	ISA DMA Request 3	I*	PD 4k7 to GND	-
71	SA14	ISA Address Bus	O*	PU 4k7 5V	int. PU 100k
72	DACK3#	ISA DMA Acknowledge 3	IO*	no PU/PD	-
73	SA15	ISA Address Bus	O*	PU 4k7 5V	int. PU 100k
74	IOR#	ISA I/O Read	IO*	PU 8k2 5V	int. PU 100k
75	SA16	ISA Address Bus	O*	PU 4k7 5V	int. PU 100k
76	IOW#	ISA I/O Write	IO*	PU 8k2 5V	int. PU 100k
77	SA18	ISA Address Bus	O*	PU 4k7 5V	int. PU 100k
78	SA17	ISA Address Bus	O*	PU 4k7 5V	int. PU 100k
79	SA19	ISA Address Bus	O*	PU 4k7 5V	int. PU 100k
80	SMEMR#	ISA System Memory Read	IO*	PU 1k 5V	-
81	IOCHRDY	ISA I/O Channel Ready	IO*	PU 1k 5V	-
82	AEN	ISA Address Enable	IO*	PD 4k7	-
83	5VCC	Power +5V	PWR	-	-
84	5VCC	Power +5V	PWR	-	-
85	SD0	ISA Data Bus	IO*	PU 4k7 5V	int. PU 100k
86	SMEMW#	ISA System Memory Write	IO*	PU 1k 5V	-
87	SD2	ISA Data Bus	IO*	PU 4k7 5V	int. PU 100k
88	SD1	ISA Data Bus	IO*	PU 4k7 5V	int. PU 100k
89	SD3	ISA Data Bus	IO*	PU 4k7 5V	int. PU 100k
90	NOWS#	ISA No Wait Status	I*	PU1K 5V	-
91	DREQ2	ISA DMA Request 2	I*	PD 4k7 to GND	-
92	SD4	ISA Data Bus	IO*	PU 4k7 5V	int. PU 100k
93	SD5	ISA Data Bus	IO*	PU 4k7 5V	int. PU 100k
94	IRQ9	ISA Interrupt Request 9	IO*	PU 4k7 5V	-
95	SD6	ISA Data Bus	IO*	PU 4k7 5V	int. PU 100k
96	SD7	ISA Data Bus	IO*	PU 4k7 5V	int. PU 100k
97	IOCHK#	ISA I/O Channel Check	I*	PU 4k7 5V	-
98	RSTDRV	ISA Reset	O-3,3	-	-
99	GND	Ground	PWR	-	-
100	GND	Ground	PWR	-	-

**Note:** This pinout is compatible with a working voltage of 3.3V-5V.

### 5.3 X3: LVDS, Serial, Parallel, KB, MS

Pin	Signal	Pin	Signal
1	GND	2	GND
3	R	4	B
5	HSY	6	G
7	VSY	8	DDCK
9	DETECT#	10	DDDA
11	LCDDO16	12	LCDDO18
13	LCDDO17	14	LCDDO19
15	GND	16	GND
17	LCDDO13	18	LCDDO15
19	LCDDO12	20	LCDDO14
21	GND	22	GND
23	LCDDO8	24	LCDDO11
25	LCDDO9	26	LCDDO10
27	GND	28	GND
29	LCDDO4	30	LCDDO7
31	LCDDO5	32	LCDDO6
33	GND	34	GND
35	LCDDO1	36	LCDDO3
37	LCDDO0	38	LCDDO2
39	VCC	40	VCC
41	JILI_DAT	42	LTGIO0
43	JILI_CLK	44	BLON#
45	BIASON	46	DIGON
47	COMP	48	Y
49	SYNC	50	C

Pin	Signal	Pin	Signal
51	LPT/FLPY#	52	RESERVED
53	VCC	54	GND
55	STB#	56	AFD#
57	RESERVED	58	PD7
59	IRRX	60	ERR#
61	IRTX	62	PD6
63	RXD2	64	INIT#
65	GND	66	GND
67	RTS2#	68	PD5
69	DTR2#	70	SLIN#
71	DCD2#	72	PD4
73	DSR2#	74	PD3
75	CTS2#	76	PD2
77	TXD2	78	PD1
79	RI2#	80	PD0
81	VCC	82	VCC
83	RXD1	84	ACK#
85	RTS1#	86	BUSY
87	DTR1#	88	PE
89	DCD1#	90	SLCT#
91	DSR1#	92	MSCLK
93	CTS1#	94	MSDAT
95	TXD1	96	KBCLK
97	RI1#	98	KBDAT
99	GND	100	GND

### X3 Signal Descriptions

Pin	Signal	Description	Type	PU/PD	Comment
1	GND	Ground	PWR	-	-
2	GND	Ground	PWR	-	-
3	R	Analog Video Out RGB - Red Ch	OA	PD 150R	-
4	B	Analog Video Out RGB - Blue Ch	OA	PD 150R	-
5	HSY	Horizontal Synchronization Pulse	O-3,3	-	-
6	G	Analog Video Out RGB - Green Ch	OA	PD 150R	-
7	VSY	Vertical Synchronization Pulse	O-3,3	-	-
8	DDCK	Display Data Channel Clock	IO-5	PU 2.2K to 5V	Behind diode that may influence meas.
9	DETECT#	Panel Hot-Plug Detection	NC		-
10	DDDA	Display Data Channel Data	IO-5	PU 2.2K to 5V	Behind diode that may influence meas.
11	LCD16	Second LVDS Ch Data Txclk -	O - DP	-	-
12	LCD18	Second LVDS Ch Data Txout 3-	O - DP	-	-
13	LCD17	Second LVDS Ch Data Txclk +	O - DP	-	-
14	LCD19	Second LVDS Ch Data Txout 3+	O - DP	-	-
15	GND	Ground	PWR	-	-
16	GND	Ground	PWR	-	-
17	LCD13	Second LVDS Ch Data Txout 1+	O - DP	-	-
18	LCD15	Second LVDS Ch Data Txout 2+	O - DP	-	-
19	LCD12	Second LVDS Ch Data Txout 1-	O - DP	-	-
20	LCD14	Second LVDS Ch Data Txout 2-	O - DP	-	-
21	GND	Ground	PWR	-	-
22	GND	Ground	PWR	-	-
23	LCD8	First LVDS Ch Data Txout 3-	O - DP	-	-
24	LCD11	Second LVDS Ch Data Txout 0+	O - DP	-	-
25	LCD9	First LVDS Ch Data Txout 3+	O - DP	-	-
26	LCD10	Second LVDS Ch Data Txout 0-	O - DP	-	-
27	GND	Ground	PWR	-	-
28	GND	Ground	PWR	-	-
29	LCD4	First LVDS Ch Data Txout 2-	O - DP	-	-
30	LCD7	First LVDS Ch Data Txclk +	O - DP	-	-
31	LCD5	First LVDS Ch Data Txout 2+	O - DP	-	-
32	LCD6	First LVDS Ch Data Txclk -	O - DP	-	-
33	GND	Ground	PWR	-	-
34	GND	Ground	PWR	-	-
35	LCD1	First LVDS Ch Data Txout 0+	O - DP	-	-
36	LCD3	First LVDS Ch Data Txout 1+	O - DP	-	-
37	LCD0	First LVDS Ch Data Txout 0-	O - DP	-	-
38	LCD2	First LVDS Ch Data Txout 1-	O - DP	-	-
39	5VCC	Power +5V	PWR	-	-
40	5VCC	Power +5V	PWR	-	-
41	JILI_DAT	JILI I2C Data Signal	IO-3,3	PU 2.2k 3,3V	-
42	LTGIO0	Display Backlight Control	O-5	-	-
43	JILI_CLK	JILI I2C Clock Signal	IO-3,3	PU 2.2k 3,3V	-
44	BLON#	Display Backlight On	O-3,3	-	-
45	BIASON	Display Contrast	O-5	-	-
46	DIGON	Display Power On	O-3,3	-	-
47	COMP	Composite Video / SCART Blue	NC	-	-
48	Y	S-Video Luminance / SCART Red	NC	-	-
49	SYNC	Composite Sync	NC	-	-
50	C	S-Video Chrominance / SCART Green	NC	-	-

Pin	Signal	Description	Type	PU/PD	Comment
51	LPT   FLPY#	LPT / Floppy Interface Select	NC	-	-
52	RESERVED		NC	-	-
53	5VCC	Power +5V	PWR	-	-
54	GND	Ground	PWR	-	-
55	STB#   RSV	LPT Strobe Signal	O-5	-	-
56	AFD#   DENSEL	LPT Automatic Feed / Floppy Density Select	O-5	-	-
57	RESERVED		NC	-	-
58	PD7   RSV	LPT Data Bus D7	IO-5	-	-
59	IRRX	Infrared Receive	I-5	-	-
60	ERR#   HDSEL#	LPT Error / Floppy Head Select	IO-5	-	-
61	IRTX	Infrared Transmit	O-5	-	-
62	PD6   RSV	LPT Data Bus D6	IO-5	-	-
63	RXD2	Data Receive COM2	I-5	-	-
64	INIT#   DIR#	LPT Initiate / Floppy Direction	O-5	-	-
65	GND	Ground	PWR	-	-
66	GND	Ground	PWR	-	-
67	RTS2#	Request to Send COM2	O-5	-	-
68	PD5   RSV	LPT Data Bus D5	IO-5	-	-
69	DTR2#	Data Terminal Ready COM2	O-5	-	-
70	SLIN#   STEP#	LPT Select / Floppy Motor Step	O-5	-	-
71	DCD2#	Data Carrier Detect COM2	I-5	-	-
72	PD4   DSKCHG#	LPT Data Bus D4	IO-5	-	-
73	DSR2#	Data Set Ready COM2	I-5	-	-
74	PD3   RDATA#	LPT Data Bus D3	IO-5	-	-
75	CTS2#	Clear to Send COM2	I-5	-	-
76	PD2   WP#	LPT Data Bus D2	IO-5	-	-
77	TXD2	Data Transmit COM2	O-3.3	PU 1k 3.3V	-
78	PD1   TRK0#	LPT Data Bus D1	IO-5	-	-
79	RI2#	Ring Indicator COM2	I-5	-	-
80	PD0   INDEX#	LPT Data Bus D0	IO-5	-	-
81	5VCC	Power +5V	PWR	-	-
82	5VCC	Power +5V	PWR	-	-
83	RXD1#	Data Receive COM1	I-5	-	-
84	ACK#   DRV	LPT Acknowledge / Floppy Drive Select	IO-5	-	-
85	RTS1#	Request to Send COM1	O-5	PD 1k	-
86	BUSY#   MOT	LPT Busy / Floppy Motor Select	IO-5	-	-
87	DTR1#	Data Terminal Ready COM1	O-5	-	-
88	PE   WDATA#	LPT Paper Empty / Floppy Raw Write Data	IO-5	-	-
89	DCD1#	Data Carrier Detect COM1	I-5	-	-
90	SLCT# WGATE#	LPT Power On / Floppy Write Enable	IO-5	-	-
91	DSR1#	Data Set Ready COM1	I-5	-	-
92	MSCLK	Mouse Clock	O-5	PU 4k7 5V	-
93	CTS1#	Clear to Send COM1	I-5	-	-
94	MSDAT	Mouse Data	IO-5	PU 4k7 5V	-
95	TXD1	Data Transmit COM1	O-5	PU 1k 3.3V	-
96	KBCLK	Keyboard Clock	O-5	PU 4k7 5V	-
97	RI1#	Ring Indicator COM1	I-5	-	-
98	KBDAT	Keyboard Data	IO-5	PU 4k7 5V	-
99	GND	Ground	PWR	-	-
100	GND	Ground	PWR	-	-

## 5.4 X4: IDE 1, IDE 2, Ethernet, Miscellaneous

Pin	Signal	Pin	Signal
1	GND	2	GND
3	5V_SB	4	PWGIN
5	PS_ON#	6	SPEAKER
7	PWRBTN#	8	BATT
9	KBINH#	10	LILED#
11	RSMRST#	12	ACTLED#
13	ROMKBCS#	14	SPEEDLED
15	EXT_PRG	16	I2CLK
17	VCC	18	VCC
19	OVCR#	20	GPCS#
21	EXTSMI#	22	I2DAT
23	SMBCLK	24	SMBDATA
25	SIDE_CS3#	26	SMBALRT#
27	SIDE_CS1#	28	DASP_S
29	SIDE_A2	30	PIDE_CS3#
31	SIDE_A0	32	PIDE_CS1#
33	GND	34	GND
35	PDIAG_S	36	PIDE_A2
37	SIDE_A1	38	PIDE_A0
39	SIDE_INTRQ	40	PIDE_A1
41	BATLOW#	42	GPE1#
43	SIDE_AK#	44	PIDE_INTR
45	SIDE_RDY	46	PIDE_AK#
47	SIDE_IOR#	48	PIDE_RDY
49	VCC	50	VCC

Pin	Signal	Pin	Signal
51	SIDE_IOW#	52	PIDE_IOR#
53	SIDE_DRQ	54	PIDE_IOW#
55	SIDE_D15	56	PIDE_DRQ
57	SIDE_D0	58	PIDE_D15
59	SIDE_D14	60	PIDE_D0
61	SIDE_D1	62	PIDE_D14
63	SIDE_D13	64	PIDE_D1
65	GND	66	GND
67	SIDE_D2	68	PIDE_D13
69	SIDE_D12	70	PIDE_D2
71	SIDE_D3	72	PIDE_D12
73	SIDE_D11	74	PIDE_D3
75	SIDE_D4	76	PIDE_D11
77	SIDE_D10	78	PIDE_D4
79	SIDE_D5	80	PIDE_D10
81	VCC	82	VCC
83	SIDE_D9	84	PIDE_D5
85	SIDE_D6	86	PIDE_D9
87	SIDE_D8	88	PIDE_D6
89	GPE2#	90	CBLID_P
91	RXD-	92	PIDE_D8
93	RXD+	94	SIDE_D7
95	TXD-	96	PIDE_D7
97	TXD+	98	HDRST#
99	GND	100	GND

**Note:** The IDE2 pinout is not supported on the standard product. Support for both IDE1 and IDE2 is only available as a build option that requires a special part number.

## X4 Signal Descriptions

Pin	Signal	Description	Type	PU/PD	Comment
1	GND	Ground	PWR	-	-
2	GND	Ground	PWR	-	-
3	5V_SB	Supply of internal suspend Circuit	PWR	-	-
4	PWGIN	Power Good / Reset Input	I-3,3	-	-
5	PS_ON	Power Supply On	O-5	PU 4k7 5VSB	-
6	SPEAKER	Speaker Output	O-5	-	-
7	PWRBTN#	Power Button	I-5	PU 10k 3,3BMC	-
8	BATT	Battery Supply	PWR	-	-
9	KBINH	Keyboard Inhibit Control Input	NC	-	-
10	LILED	Ethernet Link LED	O-3,3	-	-
11	RSMRST#	Resume Reset input	I-3,3	PU 10k 3.3VSB	-
12	ACTLED	Ethernet Activity LED	O-3,3	-	-
13	ROMKBCS#	-	NC	-	-
14	SPDLED	Ethernet Speed LED	O-3,3	-	-
15	EXT_PRG	-	NC	-	-
16	I2CLK	I2C Bus Clock	O-5	PU 2.2k 5V	-
17	5VCC	Power +5V	PWR	-	-
18	5VCC	Power +5V	PWR	-	-
19	OVCRA#	Over Current Detect for USB	I-3,3	PU 10k 3.3VSB	-
20	GPCS#	-	NC	-	-
21	EXTSMI#	System Management Interrupt Input	I-3,3	PU 10k 3,3V	To be verified
22	I2DAT	I2C Bus Data	IO-5	PU 2.2k 5V	-
23	SMBCLK	SM Bus Clock	O-3,3	PU 2k2 3.3VSB	-
24	SMBDATA	SM Bus Data	IO-3,3	PU 2k2 3.3VSB	-
25	S_CS3#	Secondary IDE Chip Select Channel 1	O-3,3	-	-
26	SMBALERT	SM Bus Alert	I-3,3	PU 10k 3.3VSB	-
27	S_CS1#	Secondary IDE Chip Select Channel 0	O-3,3	-	-
28	DASP_S	-	I-3,3	-	-
29	S_A2	Secondary IDE Address Bus	O-3,3	-	-
30	P_CS3#	Primary IDE Chip Select Channel 1	O-3,3	-	-
31	S_A0	Secondary IDE Address Bus	O-3,3	-	-
32	P_CS1#	Primary IDE Chip Select Channel 0	O-3,3	-	-
33	GND	Ground	PWR	-	-
34	GND	Ground	PWR	-	-
35	PDIAG_S	80-conductor IDE cable Channel 1	I-3,3	-	-
36	P_A2	Primary IDE Address Bus	O-3,3	-	-
37	S_A1	Secondary IDE Address Bus	O-3,3	-	-
38	P_A0	Primary IDE Address Bus	O-3,3	-	-
39	S_INTRQ	Secondary IDE Interrupt Request	I-3,3	PD 10k	-
40	P_A1	Primary IDE Address Bus	O-3,3	-	-
41	BATLOW#	Battery Low	I-3,3	-	-
42	GPE1#	-	NC	-	-
43	S_AK#	Secondary IDE DMA Acknowledge	O-3,3	-	-
44	P_INTRQ	Primary IDE Interrupt Request	I-3,3	PD 10k	-
45	S_RDY	Secondary IDE Ready	I-3,3	PU 4k7 3,3V	-
46	P_AK#	Primary IDE DMA Acknowledge	O-3,3	-	-
47	S_IOR#	Secondary IDE IO Read	O-3,3	-	-
48	P_RDY	Primary IDE Ready	I-3,3	PU 4k7 3,3V	-
49	5VCC	Power +5V	PWR	-	-
50	5VCC	Power +5V	PWR	-	-

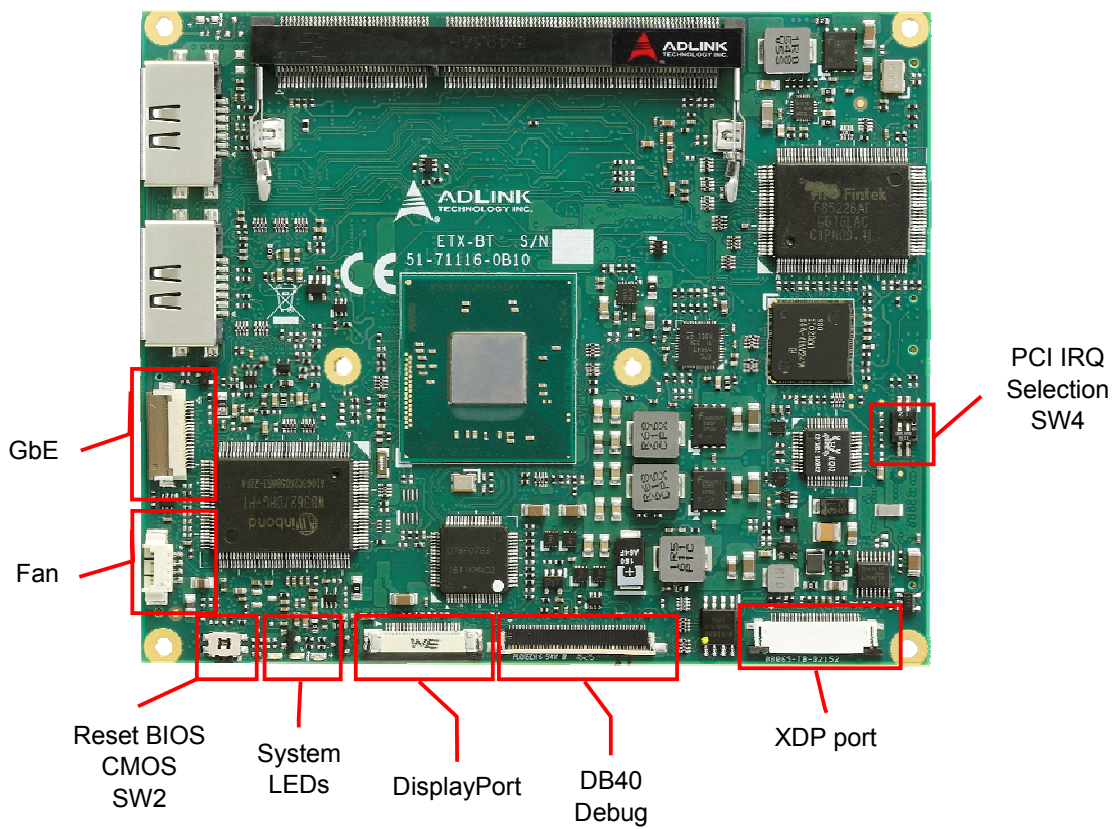
Pin	Signal	Description	Type	PU/PD	Comment
51	S_IOW#	Secondary IDE IO Write	O-3,3	-	-
52	P_IOR#	Primary IDE IO Read	O-3,3	-	-
53	S_DRQ	Secondary IDE DMA Request	I-3,3	PD 5k6	-
54	P_IOW#	Primary IDE IO Write	O-3,3	-	-
55	S_D15	Secondary IDE Data Bus	IO	-	-
56	P_DRQ	Primary IDE DMA Request	I-3,3	PD 5k6	-
57	S_D0	Secondary IDE Data Bus	IO	-	-
58	P_D15	Primary IDE Data Bus	IO	-	-
59	S_D14	Secondary IDE Data Bus	IO	-	-
60	P_D0	Primary IDE Data Bus	IO	-	-
61	S_D1	Secondary IDE Data Bus	IO	-	-
62	P_D14	Primary IDE Data Bus	IO	-	-
63	S_D13	Secondary IDE Data Bus	IO	-	-
64	P_D1	Primary IDE Data Bus	IO	-	-
65	GND	Ground	PWR	-	-
66	GND	Ground	PWR	-	-
67	S_D2	Secondary IDE Data Bus	IO	-	-
68	P_D13	Primary IDE Data Bus	IO	-	-
69	S_D12	Secondary IDE Data Bus	IO	-	-
70	P_D2	Primary IDE Data Bus	IO	-	-
71	S_D3	Secondary IDE Data Bus	IO	-	-
72	P_D12	Primary IDE Data Bus	IO	-	-
73	S_D11	Secondary IDE Data Bus	IO	-	-
74	P_D3	Primary IDE Data Bus	IO	-	-
75	S_D4	Secondary IDE Data Bus	IO	-	-
76	P_D11	Primary IDE Data Bus	IO	-	-
77	S_D10	Secondary IDE Data Bus	IO	-	-
78	P_D4	Primary IDE Data Bus	IO	-	-
79	S_D5	Secondary IDE Data Bus	IO	-	-
80	P_D10	Primary IDE Data Bus	IO	-	-
81	5VCC	Power +5V	PWR	-	-
82	5VCC	Power +5V	PWR	-	-
83	S_D9	Secondary IDE Data Bus	IO	-	-
84	P_D5	Primary IDE Data Bus	IO	-	-
85	S_D6	Secondary IDE Data Bus	IO	-	-
86	P_D9	Primary IDE Data Bus	IO	-	-
87	S_D8	Secondary IDE Data Bus	IO	-	-
88	P_D6	Primary IDE Data Bus	IO	-	-
89	GPE2#	-	NC	-	-
90	CBLID_P#	80-conductor IDE cable Channel 0	I-3,3	-	-
91	RXD#	Ethernet Receive Differential Signal (RXD-)	I - DP	-	-
92	P_D8	Primary IDE Data Bus	IO	-	-
93	RXD	Ethernet Receive Differential Signal (RXD+)	I - DP	-	-
94	S_D7	Secondary IDE Data Bus	IO	PD 10k	-
95	TXD#	Ethernet Transmit Differential Signal (TXD-)	O -DP	-	-
96	P_D7	Primary IDE Data Bus	IO	PD 10k	-
97	TXD	Ethernet Transmit Differential Signal (TXD+)	O -DP	-	-
98	HDRST#	Hard Drive Reset	O-3,3	-	-
99	GND	Ground	PWR	-	-
100	GND	Ground	PWR	-	-

# 6 Module Interfaces

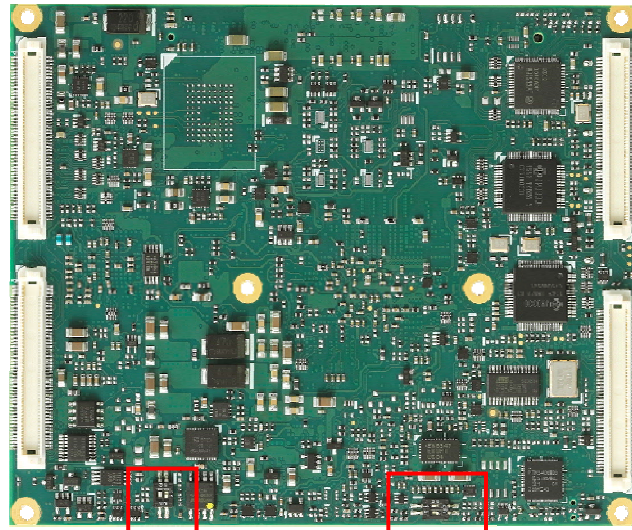
This chapter describes connectors with pin outs, LEDs and switches that are used on the module but which interfaces are not part of the ETX standard specification

## 6.1 Connector, Switch and LED Locations

### Component Side



**Solder Side**



PCI Voltage  
Selection  
SW3

SPI Boot  
Selection  
SW1

## 6.2 40-pin Multipurpose Connector

### FPC Connector Type: FCI 59GF Flex 10042867

Pin Orientation:

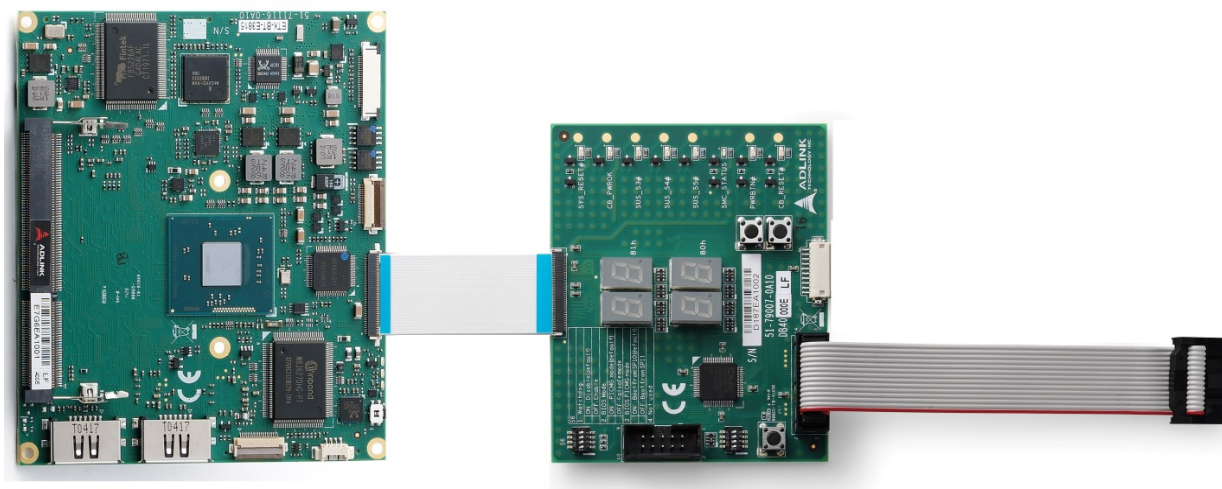


#### Pin Definitions (on ETX module)

Pin	Interface	Signal	Remark	Pin	Interface	Signal	Remark
40	SPI Program interface	VCC_SPI_I N	SPI Power Input from flash tool to module. HW need add MOS FET to switch SPI power for SPI ROM	20	BMC Program interface (cont'd)	TXD6	
39		GND		19		RXD6	
38		SPI_BIOS_CS0#		18		FUMD0	
37		SPI_BIOS_CS1#		17		RESET_IN#	
36		SPI_BIOS_MISO		16		DATA	
35		SPI_BIOS_MOSI		15		CLK	
34		SPI_BIOS_CLK		14		OCD0A	Include a jumper to connect OCD0A via 1K0 pull-up to 3.3V_BMC
33	LPC Bus	3V3_LPC	System power 3.3V provide from COM module	13		OCD0B	Include a jumper to connect OCD0A via 1K0 pull-up to 3.3V_BMC
32		GND		12	Test points	PWRBTN#	
31		BIOS_DIS0		11		SYS_RESET#	
30		RST#		10		CB_RESET#	
29		CLK33_LPC		9		CB_PWROK	
28		LPC_FRAME#		8		SUS_S3#	
27		LPC_AD3		7	SUS_S4#		
26		LPC_AD2		6	SUS_S5#		
25		LPC_AD1	always power 3.3V provide from COM module	5	BMC Debug signals	POSTWDT_DISS#	Connect to Jumper for Debug
24		LPC_AD0		4		SEL_BIOS	Connect to Jumper for Debug
23	3.3V_BMC	always power 3.3V provide from COM module	3	BIOS_MODE		Connect to Jumper for Debug	
22	3.3V_BMC	always power 3.3V provide from COM module	2		BMC_STATUS		
21	GND		1	Reserved			

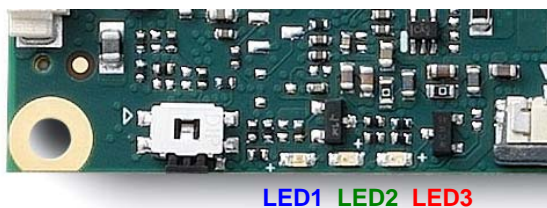
**Note:** the pin description on the DB40 Debug Module is the inverse of that on the ETX module.

## ETX-BT and the DB40 Module connected



## 6.3 Status LEDs

To facilitate easier maintenance, status LED's are mounted on the board.



### LED Descriptions:

Name	Color	Connection	Function
LED1	Blue	BMC output	Power Sequence Status Code (BMC) Power Changes, RESET (see Section 7.1 Exception Codes)
LED2	Green	Power Source 3Vcc	S0 LED ON S3/S4/S5 LED OFF ECO mode LED OFF
LED3	Red	BMC output and same signal as WDT (B27) on BtB connector	Module power up LED OFF Watchdog counting LED OFF Watchdog timed out LED ON Watchdog RESET LED ON Rebooted after WD RESET LED ON Rebooted after PWRBTN LED ON Rebooted after RESET BTN LED OFF  <b>Note:</b> only a RESET not initiated by the BMC can clear the WD LED (user action)

## 6.4 XDP Debug Header



**Connector Type:** Molex 26-pin 52435-2671

The debug port is a connection into a target-system environment that provides access to JTAG, run control, system control, and observation resources. The XDP target system connector is a Molex 26-pin 52435-2671 connector. Specific plating types, locking clips, and alignment pin details of this connector can be obtained from Molex. No specific plating types, locking clips or alignment pins are required for the XDP tool.

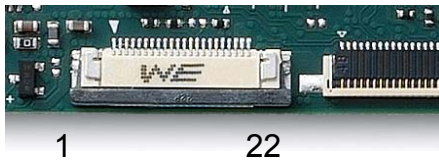
### Pin Definitions (on ETX module)

Pin	XDP Signal	Target Signal	I/O	Device	Pin	XDP Signal	Target Signal	I/O	Device
1	OBSFN_A0	TAP_PREQ#	I/O	SoC	2	OBSFN_A1	TAP_PRDY#	I/O	SoC
3	GND	GND	NA		4	OBSDATA_A [0]	DBG[0]	I/O	SoC
5	OBSDATA_A [1]	DBG[1]	I/O	SoC	6	GND	GND	NA	
7	OBSDATA_A [2]	DBG[2]	I/O	SoC	8	OBSDATA_A [3]	DBG[3]	I/O	SoC
9	GND	GND	NA		10	HOOK0	PMC_RSMRST#	I	SoC
11	HOOK1	PMIC_PWRBTN#	O	System	12	HOOK2	PMC_CORE_P W ROK	I	SoC
13	HOOK3	ILB_RTC_TEST#	O	SoC	14	HOOK4	Open	NA	
15	HOOK5	Open	NA		16	VCCOBS_AB	1.8VS (SUS)	I	System
17	HOOK6	PMC_PLTRST#	I	SoC	18	HOOK7	PMC_RSTBTN#	O	SoC
19	GND	GND	NA		20	TDO	TAP_TDO	I	SoC
21	TRSTn	TAP_TRST#	O	SoC	22	TDI	TAP_TDI	O	SoC
23	TMS	TAP_TMS	O	SoC	24	TCK1	Open	NA	
25	GND	GND	NA		26	TCK0	TAP_TCK	O	SoC

Refer to the "Bay Trail M/D/I Platform" Debug Port Design Guide (DPDG),  
Document Number: 512816, Revision: 2.1

Testing on the XDP connector was carried out with Intel® System Studio 2014 – JTAG Debugger ITP-XDP3

## 6.5 DP Connector



**Connector Type:** Wurth WE 6871 2214 522

The DP connector brings out DD11 port of the Intel Atom® SoC as either DP or HDMI/DVI on a flat cable connector.

### Pin Definitions

Pin	Signal Description (DP / HDMI)	Pin	Signal Description (DP / HDMI)
1	GND	12	DP_LANE3- / TMDS1_CLK-
2	DP_LANE0+ / TMDS_DATA2+	13	CONFIG1
3	DP_LANE0- / TMDS_DATA2-	14	CONFIG2 (not used)
4	GND	15	GND
5	DP_LANE1+ / TMDS_DATA1+	16	DP_AUX+ / HDMI1_CTRLCLK (3.3V !)
6	DP_LANE1- / TMDS_DATA1-	17	DP_AUX- / HDMI1_CTRDATA (3.3V !)
7	GND	18	GND
8	DP_LANE2+ / TMDS_DATA0+	19	DP_HPD# / HDMI_HPD# !!
9	DP_LANE2- / TMDS_DATA0-	20	+ DP_PWR only (3.3V)
10	GND	21	+ DP_PWR only (3.3V)
11	DP_LANE3+ / TMDS1_CLK+	22	+ DP_PWR only (3.3V)

### 6.5.1 Display Mode Selection

Display mode (DP or HDMI/DVI) can be selected by strapping pin 13 (CONFIG1).

Strapping should be done on the carrier as follows

- Pull high to 3.3V (3VS0) for HDMI/DVI
- Pull to GND for DisplayPort mode

### 6.5.2 Power Output Modification for HDMI

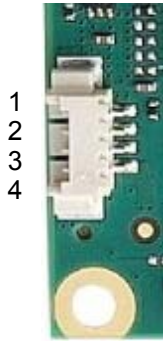
For HDMI/DVI output, pins 16, 17, should be converted to 5V (5VS0) on the carrier by level shifters

For HDMI/DVI output, pins 20, 21, 22 should not be used but power should be sourced from 5V (5VS0) rail on the carrier

## 6.6 Fan Connector

**Connector Type: JVE 24W1125A-04M00**

Pin Orientation:



**Pin Definitions:**

Pin	Signal
1	FAN_PWMOUT
2	FAN_TACHIN
3	Ground
4	5V

## 6.7 GbE Connector

Normal support for 100/10 Mbps LAN is through the X4 connector. There is a build option to disconnect these signals and instead route full 1000/100/10 Mbps support to the FPC connector on the module.

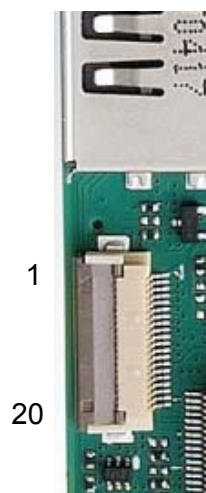
**Note:** Standard modules will not include the FPC connector and will only route LAN signals to the X4 connector.

### Connector Type: FPC-CN-1\*20P-RT-D5

#### Pin Definitions:

Pin	Signal
1	GND
2	LAN_MDI_N3_C
3	LAN_MDI_P3_C
4	GND
5	LAN_MDI_N2_C
6	LAN_MDI_P2_C
7	GND
8	LAN_MDI_N1_C
9	LAN_MDI_P1_C
10	GND
11	LAN_MDI_N0_C
12	LAN_MDI_P0_C
13	GND
14	GBE0_CTREF
15	LED2_1000-L
16	LED2_100-L
17	LED1_LINK/ACT-L
18	NC
19	+V3P3A_LAN
20	+V3P3A_LAN

#### Pin Orientation



## 6.8 SW1: SPI Boot Device Selection

The ETX-BT supports a form of fail-safe BIOS. In the case that the primary BIOS is corrupted and the BIOS POST takes longer than normal, the system's POST watchdog will time out and the system will reset with the secondary SPI Flash BIOS assigned as primary.

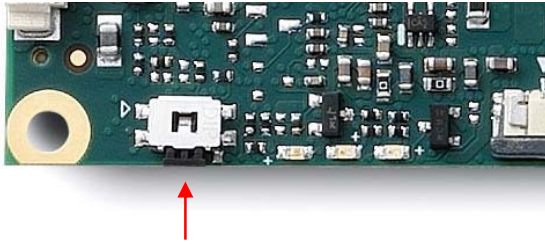
For information on monitoring and operation of the fail-safe BIOS, please refer to SEMA documentation.

The SW1 switch allows users to change the boot behavior of the module. It sets the module to either fail safe-mode, or assigns SPI0 or SPI1 as the boot BIOS while providing access to the other SPI flash device.

### Switch Settings

SPI Function	Pin 1	Pin 2	Comment
<b>SPI0 fails-safe mode</b>	OFF	ON	Boot from SPI0, SPI1 is secondary SPI flash (default)
SPI1 boot	OFF	OFF	Boot from SPI1, no fail-safe, SPI0 not accessible
SPI0 boot	ON	ON	Boot from SPI0, no fail-safe, SPI1 not accessible
SPI1 boot	ON	OFF	Boot from SPI1, no fail-safe, SPI0 not accessible

## 6.9 SW2: BIOS Setup Defaults RESET Button



To perform a hardware reset of BIOS default settings, perform the following steps:

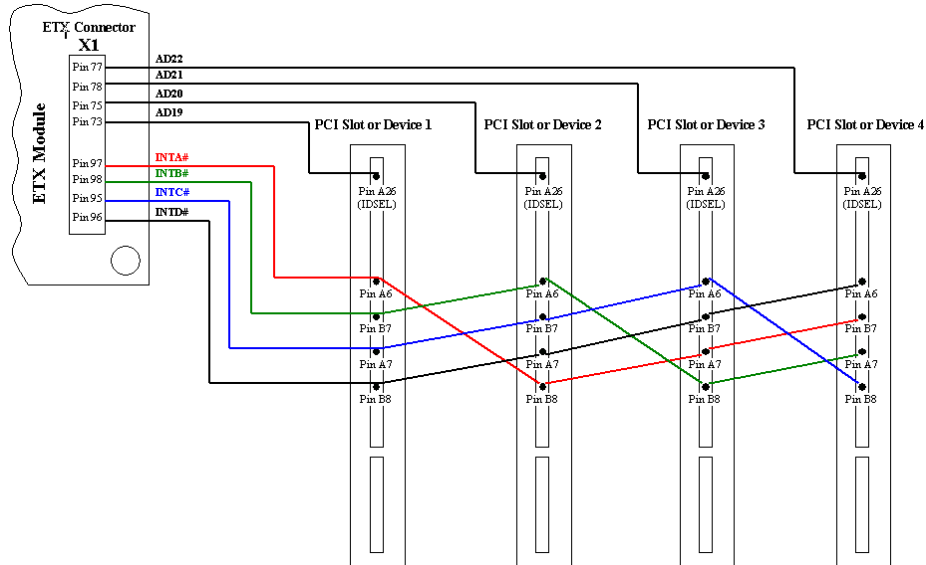
1. Shut down the system.
2. Press the BIOS Setup Defaults RESET Button continuously and boot up the system. You can release the button when the BIOS prompt screen appears



3. The BIOS prompt screen will display a confirmation that BIOS defaults have been reset and request that you reboot the system.

## 6.10 SW4: PCI Interrupt Routing Select

Standard PCI routing is compliant with ETX specification rev 3.02, as below



In some cases (e.g. real time OS) PCI routing needs to be modified. This can be done with the SW4 switch. Note that ABCD is the default, standard ETX compliant setting

### Switch Settings

PCI IRQ	Position 1	Position 2	Comment
ABCD	ON	OFF	default
DABC	ON	ON	
CDAB	OFF	OFF	
BCDA	OFF	ON	

## 6.11 SW3: PCI Voltage Level Selection

### Switch Settings

PCIR	Position 1	Position 2	Comment
+5V	ON	OFF	
3.3V	OFF	ON	default

## 7 SEMA (Smart Embedded Management Agent)

The onboard microcontroller (BMC) implements power sequencing and Smart Embedded Management Agent (SEMA) functionality.

The microcontroller communicates via the System Management Bus with the CPU/chipset. The following functions are implemented.

- ▶ Total operating hours counter. Counts the number of hours the module has been run in minutes.
- ▶ On-time minutes counter. Counts the seconds since last system start.
- ▶ Temperature monitoring of CPU and board temperature. Minimum and maximum temperature values of CPU and board are stored in flash.
- ▶ Power cycles counter
- ▶ Boot counter. Counts the number of boot attempts.
- ▶ Watchdog Timer (Type-II). Set, Reset, Disable Watchdog Timer. Features auto-reload at power-up.
- ▶ System Restart Cause. Power loss, BIOS Fail, Watchdog, Internal Reset, External Reset
- ▶ Fail-safe BIOS support. In case of a boot failure, hardware signals tell external logic to boot from fail-safe BIOS.
- ▶ Flash area. 1kB Flash area for customer data
- ▶ 128 Bytes Protected Flash area. Keys, IDs, etc. can be stored in a write- and clear-protectable region.
- ▶ Board Identifiers. Vendor, Board, Serial number, Production Date
- ▶ Main-current & voltage. Monitors drawn current and main voltages

For a detailed description of SEMA features and functionality, please refer to the **SEMA Technical Manual** and **SEMA Software Manual**, downloadable at:

[https://www.adlinktech.com/Products/Industrial IoT and Cloud solutions/SEMA\(SmartEmbeddedManagementAgent\)/SEMA](https://www.adlinktech.com/Products/Industrial_IoT_and_Cloud_solutions/SEMA(SmartEmbeddedManagementAgent)/SEMA)

**Note:** Due to limitations of the Intel “Bay Trail” platform, SEMA can only obtain CPU temperature readings when the OS is running.

## 7.1 Board Specific SEMA Functions

### 7.1.1 Voltages

The BMC of the ETX-BT implements a voltage monitor and samples several onboard voltages. The voltages can be read by calling the SEMA function “Get Voltages”. The function returns a 16-bit value divided into high-byte (MSB) and low-byte (LSB).

ADC Channel	Voltage Name	Voltage Formula [V]
0	CPU-Vcore	$(MSB \ll 8 + LSB) \times 3.3 / 1024$
1	GFX-Vcore	$(MSB \ll 8 + LSB) \times 3.3 / 1024$
2	+V1.05S	$(MSB \ll 8 + LSB) \times 3.3 / 1024$
3	Vmem	$(MSB \ll 8 + LSB) \times 3.3 / 1024$
4	+V1.0V	$(MSB \ll 8 + LSB) \times 3.3 / 1024$
5	+V3.3V	$(MSB \ll 8 + LSB) \times 1.1 \times 3.3 / 1024$
6	+VIN	$(MSB \ll 8 + LSB) \times 6.000 \times 3.3 / 1024$
7	MAIN CURRENT	Use Main Current Function

### 7.1.2 Main Current

The BMC of the ETX-BT implements a current monitor. The current can be read by calling the SEMA function “Get Main Current”. The function returns four 16-bit values divided in high-byte (MSB) and low-byte (LSB). These 4 values represent the last 4 currents drawn by the board. The values are sampled every 250ms. The order of the 4 values is NOT in chronological order. Access by the BMC may increase the drawn current of the whole system. In this case, there are still 3 samples not influenced by the read access.

$$\text{Main Current} = (MSB\_n \ll 8 + LSB\_n) \times 8.06\text{mA}$$

### 7.1.3 BMC Status

This register shows the status of BMC controlled signals on the ETX-BT.

Status Bit	Signal
0	WDT_OUT
1	LVDS_VDDEN
2	LVDS_BKLTEN
3	NULL
4	POSTWDT_DISn
5	SEL_BIOS
6	NULL
7	NULL

### 7.1.4 Exception Codes

In case of an error, the BMC drives a blinking code on the blue Status LED (LED1). The same error code is also reported by the BMC Flags register. The Exception Code is not stored in the Flash Storage and is cleared when the power is removed. Therefore, a “Clear Exception Code” command is not needed or supported.

Exception Code	Error Message
0	NOERROR
2	NO_SUSCLK
3	NO_SLP_S5
4	NO_SLP_S4
5	NO_SLP_S3
6	BIOS_FAIL
7	RESET_FAIL
8	POWER_FAIL
9	LOW_VIN
10	VCORE
11	VGFX
12	V1P05S
13	VMEM
14	V1P0A
15	V3P3A
16	+P12V_5V
18	CRITICAL_TEMP
19	NO_CB_PWROK
20	NO_HW_PWROK
21	NO_V1P24A_PG

### 7.1.5 BMC Flags

The BMC Flags register returns the last detected Exception Code since power-up and shows the BIOS in use and the power mode.

Bit	Description
[ 0 ~ 4 ]	Exception Code
[ 6 ]	0 = AT mode 1 = ATX mode
[ 7 ]	0 = Standard BIOS 1 = Fail-safe BIOS.

## 8 System Resources

### 8.1 System Memory Map

Address Range (decimal)	Address Range (hex)	Size	Description
Start 128KB below 1MB	000E0000h-000FFFFFh		Low BIOS
Starts 20MB below 4GB	FEC00000h-FEC0040h		IO APIC
Start 19MB below 4GB	FED00000h-FED003FFh		HPET
Start 64 KB below 4GB	FFFF0000h-FFFFFFFFh		High BIOS
0K –1MB		1MB	DOS DRAM

### 8.2 I/O Map

Hex Range	Device
20h-21h, 24h-25h, 28h-29h, 2Ch-2Dh, 30h-31h, 34h-5h, 38h-39h, 3Ch-3Dh	8259 Master
40h-43h, 50h-53h	8254s
60h, 64h	PS2 Control
61h, 63h, 65h, 67h	NMI Controller
70h-77h	RTC
80h-83h	Port 80h
92h	Init Register
A0h-A1h, A4h-A5h, A8h-A9h, ACh-ADh, B0h-B1h, B4h-B5h, B8h-B9h, BCh-BDh, 4D0h-4D1h	8259 Slave
2E8h-2FFh	COM2
3F8h-3FFh	COM1
B2h-B3h	Active Power Management
400h	PM Base address
500h	GPIO Base address
E000	SMBus base address for SB

## 8.3 Interrupt Request (IRQ) Lines

### 8.3.1 PIC Mode

IRQ#	Typical Interrupt Resource	Connected to Pin	Available
0	Counter 0	N/A	No
1	Keyboard controller	IRQ1 via SERIRQ / PIRQ	No
2	Cascade interrupt from slave PIC	N/A	No
3	Serial Port 2 (COM2)	IRQ3 via SERIRQ / PIRQ	Note (1)
4	Serial Port 1 (COM1)	IRQ4 via SERIRQ / PIRQ	Note (1)
5	Parallel Port (LPT)	IRQ5 via SERIRQ / PIRQ	Note (1)
6	Generic	IRQ6 via SERIRQ / PIRQ	Note (1)
7	Generic	IRQ7 via SERIRQ / PIRQ	Note (1)
8	Real-time clock	N/A	No
9	Generic	IRQ9 via SERIRQ / PIRQ	Note (1)
10	Generic	IRQ10 via SERIRQ / PIRQ	Note (1)
11	Generic	IRQ11 via SERIRQ / PIRQ	Note (1)
12	PS/2 Mouse	IRQ12 via SERIRQ / PIRQ	Note (1)
13	Math Processor	N/A	No
14	Primary IDE controller	IRQ14 via SERIRQ / PIRQ	Note (1)
15	Secondary IDE controller	IRQ15 via SERIRQ / PIRQ	Note (1)

**Note (1):** These IRQs can be used for PCI devices when onboard device is disabled.

### 8.3.2 APIC Mode

IRQ#	Typical Interrupt Resource	Connected to Pin	Available
0	System timer	N/A	No
1	Standard PS/2 Keyboard	N/A	No
2	N/A	N/A	
3	Communication Port(COM2)	IRQ3 via SERIRQ / PIRQ	Note (1)
4	Communication Port(COM1)	IRQ4 via SERIRQ / PIRQ	Note (1)
6	N/A	N/A	Note (1)
7	N/A	N/A	Note (1)
8	High precision event timer	N/A	No
9	N/A	N/A	Note (1)
10	N/A	N/A	Note (1)
11	N/A	N/A	Note (1)
12	PS/2 Mouse	IRQ12 via SERIRQ / PIRQ	Note (1)
13	N/A	N/A	Note (1)
14	N/A	N/A	Note (1)
15	N/A	N/A	Note (1)
16	N/A	PCIE Port 1/2/3/4, eMMC, IGD, PCI Slot 1/2/3/4	Note (1)
17	N/A	PCIE Port 1/2/3/4, SDIO Device, PCI Slot 1/2/3/4	Note (1)
18	N/A	PCIE Port 1/2/3/4, SD Device, PCI Slot 1/2/3/4	Note (1)
19	N/A	PCIE Port 1/2/3/4, AHCI controller, PCI Slot 1/2/3/4	Note (1)
20	N/A	GbE controller, xHCI controller	Note (1)
21	N/A	Low Power Audio Engine, TXE	Note (1)
22	N/A	Intel HDA	Note (1)
23	N/A	N/A	Note (1)

**Note (1):** These IRQs can be used for PCI devices when onboard device is disabled.

## 8.4 PCI Configuration Space Map

Bus Number	Device Number	Function Number	Routing	Description
00h	00h	00h	N/A	Soc Transaction Router
00h	02h	00h	Internal	Graphics & Display
00h	13h	00h	Internal	SATA
00h	1Ah	00h	Internal	Trusted Exécution Engine
00h	1Bh	00h	Internal	HD Audio
00h	1Ch	00h	Internal	PCI Express Root port 1
00h	1Ch	01h	Internal	PCI Express Root port 2
00h	1Ch	02h	Internal	PCI Express Root port 3
00h	1Ch	03h	Internal	PCI Express Root port 4
00h	1Dh	00h	Internal	EHCI USB
00h	1Fh	00h	N/A	Platform Controller Unit(LPC)
00h	1Fh	03h	Internal	SMBus Controller
01h	00h	00h	Internal	IDE Controller
02h	00h	00h	Internal	IDE Controller
03h	00h	00h	Internal	Texas Instruments PCI-to-PCI Bridge
05h	00h	00h	Internal	Intel Corporation Ethernet Controller

## 8.5 PCI Interrupt Routing Map

INT Line	Intel I.G.D	PCIe Root Port#1	PCIe Root Port#2	PCIe Root Port#3	PCIe Root Port#4	SD Host # 0 eMMC	SD Host#1 SDIO
Int0	INTA:16	INTA:16				INTA:16	
Int1			INTB:17				INTB:17
Int2				INTC:18			
Int3					INTD:19		

INT Line	SD Host#2 SD Card	SATA Controller	TI PCI-to-PCI Bridge	xHCI Host	Low Power Audio Engine	TXE	HDA
Int0				INTE:20	INTF:21	INTF:21	INTG:22
Int1							
Int2	INTC:18		INTC:18				
Int3		INTD:19					

INT Line	EHCI Controller	SMBus Controller	GbE Controller	LPSS2 DMA	LPSS2 I2C#1	LPSS2 I2C#2
Int0	INTH:23		INTE:20	INTB:17		
Int1		INTC:18				
Int2					INTD:19	
Int3						INTC:18

## 8.6 SMBus Address Table

Address (hex)	Function	Device
A0	DDR3 channel A	DDR3 socket
C0	eDP to LVDS	NXP3460
49	GbE LAN	I211/I210
2E	Super I/O	W83627DHG-PT
(50)	BMC	$\mu$ PD78F0763

## 8.7 I<sup>2</sup>C Address Table

Address (hex)	Function	Device
92	System thermal monitor	LM73
94	CPU thermal monitor	LM73

# 9 BIOS Setup

## 9.1 Menu Structure

This section presents the six primary menus of the BIOS Setup Utility. Use the following table as a quick reference for the contents of the BIOS Setup Utility. The subsections in this section describe the submenus and setting options for each menu item. The default setting options are presented in bold, and the function of each setting is described in the right hand column of the respective table.

Main	Advanced	Security	Boot	Save & Exit
- System Information	- CPU ▶	- Password Description ▶	- Boot Configuration ▶	- Reset Options ▶
- Processor Information	- Memory ▶	- Security Boot Menu ▶	- CSM Parameters ▶	- Save Options ▶
- VGA Firmware Version	- Graphics ▶			
- Memory Information	- SATA ▶			
- SOC Information	- USB ▶			
- System Management ▶	- Network ▶			
- System Date	- PCI ▶			
- System Time	- Super IO ▶			
	- ACPI and Power Management			
	- Sound ▶			
	- Serial Port Console ▶			
	- ACPI Thermal ▶			
	- Miscellaneous ▶			

## 9.2 Main

The Main Menu provides read-only information about your system and also allows you to set the System Date and Time. Refer to the tables below the screen shot of this menu for details of the submenus and settings.

### 9.2.1 System Information

Feature	Options	Description
BIOS Version	Info only	ADLINK BIOS version.
Build Date and Time	Info only	ADLINK date the BIOS was build.

### 9.2.2 Processor Information

Feature	Options	Description
CPU Brand String	Info only	Display CPU brand name.
Max CPU Speed	Info only	Display CPU frequency.
CPU Signature	Info only	Display CPU ID.
Number of Processors	Info only	Display number of processors.

### 9.2.3 VGA Firmware Version

Feature	Options	Description
IGFX VBIOS Version	Info only	Display legacy VBIOS or GOP driver version.
IGFX GOP Version		

### 9.2.4 Memory Information

Feature	Options	Description
Total Memory	Info only	Display total memory information.

### 9.2.5 SOC Information

Feature	Options	Description
BayTrail Soc	Info only	Display SOC stepping.
TXE FW Version	Info only	Display version of TXE.

## 9.2.6 System Management

### 9.2.6.1 System Management > Board Information

Board Information	Info only	
SEMA Firmware	Read only	Display SMC firmware.
Build Date	Read only	Display SMC firmware build date.
SEMA Boot loader	Read only	Display SMC boot loader.
Build Date	Read only	Display SMC boot loader build date.
Hardware Version	Read only	Display SMC hardware Version.
PCBA Revision	Read only	Display PCBA Revision
Serial Number	Read only	Display SMC serial Number.
Manufacturing Date	Read only	Display SMC manufacturing date.
Last Repair Date	Read only	Display SMC last repair date.
MAC ID	Read only	Display SMC MAC ID
SEMA Features:	Read only	Display SEMA features.

### 9.2.6.2 System Management > Temperatures and Fan Speed

Feature	Options	Description
Temperatures and Fan Speed	Info only	
Board Temperatures	Info only	
Current	Read only	Display board current temperature.
Startup	Read only	Display board startup temperature.
Min	Read only	Display board min temperature.
Max	Read only	Display board max temperature.
CPU Fan Speed	Read only	Display CPU fan speed.
System Fan Speed	Read only	Display system fan speed.

## 9.2.6.3 System Management &gt; Power Consumption

Feature	Options	Description
Power Consumption	Info only	
Current Input Current	Read only	Display input current.
Current Input Power	Read only	Display input power.
GPU-Vcore	Read only	Display actual voltage of the GPU-Vcore.
GFX-Vcore	Read only	Display actual voltage of the GFX-Vcore.
1.050	Read only	Display actual voltage of the V1.05.
VMEM	Read only	Display actual voltage of the VMEM.
1.000	Read only	Display actual voltage of the V1.00.
3.300	Read only	Display actual voltage of the V3.30.
VIN	Read only	Display actual voltage of the VIN.

## 9.2.6.4 System Management &gt; Runtime Statistics

Feature	Options	Description
Runtime Statistics	Info only	
Total Runtime	Read only	The returned value specifies the total time in minutes the system is running in S0 state.
Current Runtime	Read only	The returned value specifies the time in seconds the system is running in S0 state. This counter is cleared when the system is removed from the external power supply.
Power Cycles	Read only	The returned value specifies the number of times the external power supply has been shut down
Boot Cycles	Read only	The Bootcounter is increased after a HW- or SW-Reset or after a successful power-up.
Boot Reason	Read only	The boot reason is the event which causes the reboot of the system.

## 9.2.6.5 System Management &gt; Flags

Feature	Options	Description
Flags	Info only	
BMC Flags	Read only	
BIOS Select	Read only	Display the selection of current BIOS ROM.
ATX/AT-Mode	Read only	Display ATX/AT-Mode.
Exception Code	Read only	System exception reason.

### 9.2.6.6 System Management > Power Up

Feature	Options	Description
Power Up	Info only	
Power Up watchdog Attention: Pressing F12 during start up disables the Power Up Watchdog.	Enabled <b>Disabled</b>	The Power-Up Watchdog resets the system after a certain amount of time after power-up. Pressing F12 during start up disables the Power Up Watchdog.
ECO Mode	<b>Disabled</b> Enable	Reduces the power consumption of the system, but after a shutdown, you have to wait at least 5 seconds before you can restart the system.
Power-up Mode Attention: The Power-Up Mode only has effect, if the module is in ATX-Mode.	<b>Turn on</b> Remain off Last State	Turn On: The machine starts automatically when the power supply is turned on. Remain Off: To start the machine the power button has to be pressed. Last State: The machine will power up to last power state

### 9.2.6.7 System Management > Smart Fan

Feature	Options	Description
Smart Fan	Info only	
CPU Fan Mode	<b>AUTO (Smart Fan)</b> Fan Off Fan On	CPU Fan Mode.
CPU Trigger Point 1	Read only	
Temperature Trigger	15	Trigger Temperature
PWM Level	30	PWM level.
CPU Trigger Point 2	Read only	
Temperature Trigger	60	Trigger Temperature
PWM Level	40	PWM level.
CPU Trigger Point 3	Read only	
Temperature Trigger	70	Trigger Temperature
PWM Level	63	PWM level.
CPU Trigger Point 4	Read only	
Temperature Trigger	80	Trigger Temperature
PWM Level	100	PWM level.

## 9.2.7 System Date and Time

Feature	Options	Description
System Date	Weekday, MM/DD/YYYY	Set the Date. Use Tab to switch between Date elements.
System Time	HH/MM/SS	Set the Timer. Use Tab to switch between Time elements.

## 9.3 Advanced

### 9.3.1 CPU

Feature	Options	Description
CPU	Info only	
CPU Brand Name	Info only	Display CPU brand name.
CPU Signature	Info only	Display CPU signature.
Processor Family	Info only	Display processor family.
Microcode Patch	Info only	Display microcode patch.
Max CPU speed	Info only	Display Max CPU speed.
Min CPU speed	Info only	Display Min CPU speed.
Processor Cores	Info only	Display processor cores.
Intel HT Technology	Info only	Display Intel HT Technology support.
Intel VT-x Technology	Info only	Display Intel VT-x Technology support.
64-bit	Info only	Display 64-bit support or not.
L1 Data Cache	Info only	Display cache info.
L1 Code Cache	Info only	Display cache info.
L2 Cache	Info only	Display cache info.
L3 Cache	Info only	Display cache info.
Limit CPUID Maximum	<b>Disabled</b> <b>Enabled</b>	Disabled for Windows XP.
Execute Disabled Bit	<b>Disabled</b> <b>Enabled</b>	XD can prevent certain classes of malicious buffer overflow attacks when combined with a supporting OS (Windows Server 2003 SP1, Windows XP SP2, SuSE Linux 9.2, RedHat Enterprise 3 Update 3.)
Intel Virtualization Technology	<b>Disabled</b> <b>Enabled</b>	When enabled, a VMM can utilize the additional hardware capabilities provided by Vanderpool Technology.
SB CRID	<b>Revision ID</b> CRID 0 CRID 1 CRID 2	select the Revision ID(Revision ID, CRID 0, CRID 1, CRID 2) reflected in PCI config space.
CPU Processor Power Management (PPM)	Information only	
EIST	<b>Disabled</b> <b>Enabled</b>	Enable/Disable Intel SpeedStep
CPU C state Report	<b>Disabled</b> <b>Enabled</b>	Enable/Disable CPU C state report to OS
CPU DTS	<b>Disabled</b> <b>Enabled</b>	Enabled/Disable Digital Thermal Sensor.

### 9.3.2 Memory

Feature	Options	Description
Memory	Info only	
Total Memory	Info only	Display Total Memory.
DIMM#0	Info only	Display DIMM#0/1.
SPD Write Protect	<b>Enabled</b> Disabled	Enabled:Writes to SMBus slave addresses A0h – Aeh are disabled.
Max TOLUD	2.0 GB 2.25 GB <b>2.5 GB</b> 2.75 GB 3.0GB	Maximum Value of TOLUD.

### 9.3.3 Graphics

Feature	Options	Description
Graphics	Info only	
IGFX VBIOS Version	Info only	
Primary Display Interface	Auto <b>IGD</b> PCI-E	Select which of IGD/PCI graphics device should be primary display.
Integrated Graphics Device	<b>Enabled</b> Disabled	Enable : Enable integrated graphics device (IGD) when selected as the primary video adaptor. Disable: Always disable IGD.
Aperture Size	128MB <b>256MB</b> 512MB	Select the aperture size.
DVMT Pre-Allocated	<b>64M</b> 96M 128M 160M 192M 224M 256M 288M 320M 352M 384M 413M 448M 512M	Select DVMT 5.0 pre-allocated (fixed) graphics memory size used by the internal graphics device.
DVMT Total Gfx Mem	128MB <b>256MB</b> Max	Select DVMT5.0 total graphic memory size used by the internal graphics device.

Feature	Options	Description
LVDS Backlight Control Source	<b>BMC</b> IGFX	Select LVDS backlight control function.
LCD Panel Type	<b>AUTO</b> 640x480 LVDS 800x480 LVDS 800x600 LVDS 1024x600 LVDS 1024x768 LVDS 1280x800 LVDS 1280x1024 LVDS 1366x768 LVDS 1400x1050 LVDS 1440x900 LVDS 1600x900 LVDS 1600x1200 LVDS 1680x1050 LVDS 1920x1080 LVDS	Select LCD panel used by Internal Graphics Device by selecting the appropriate setup item.
AMI Graphics Output Protocol Policy [UEFI GOP only]	Submenu	User select monitor output by graphics output protocol
LVDS Backlight Brightness	<b>255</b>	A change takes effect immediately. The value range starts by 0 and Ends by 255.
IGFX Boot Display Device	VBIOS Default <b>CRT</b> EFP LFP	Select the video device which will be activated during POST. This has no effect if external graphic present.
EDP to LVDS Bridge Configuration	Info only	
Data format and Color Depth	VESA 24 bpp JEIDA 24 bpp <b>JEIDA/vesa 18 bpp</b>	Data format and color depth select
LVDS Output Mode	Dual LVDS bus <b>Single LVDS bus</b>	Single/Dual mode select
DE Polarity	<b>Active High</b> Active Low	DE polarity select
Vsync Polarity	<b>Active High</b> Active Low	Vsync polarity select
Hsync Polarity	<b>Active High</b> Active Low	Hsync polarity select
GT – Power Management Control	Info only	
RC6 (Render Standby)	<b>Enabled</b> Disabled	Check to enable render standby support.

### 9.3.4 SATA

Feature	Options	Description
SATA	Info only	
SATA Controller(s)	<b>Enabled</b> Disabled	Enable / Disable Serial ATA.
SATA Mode Selection	IDE Mode <b>AHCI Mode</b>	Select IDE / AHCI
SATA Test Mode	Enabled <b>Disabled</b>	Test Mode enable / disable.
SATA Controller Speed	Gen1 <b>Gen2</b>	SATA speed support Gen1 or Gen2
SATA Port Configuration	Submenu	

#### 9.3.4.1 SATA > SATA Port Configuration

Feature	Options	Description
SATA Port Configuration	Info only	
Port X	Disabled <b>Enabled</b>	Enable/Disable SATA Port X.
HotPlug	Enabled <b>Disabled</b>	Enabl / Disable SATA PORT X hotplug.

### 9.3.5 USB

Feature	Options	Description
USB	Info only	
USB Module Version	Info only	
USB Devices	Info only	X drive, x keyboards, x mouse, x hubs
Legacy USB Support	<b>Enabled</b> Disabled Auto	Enables legacy USB support. Auto option disables legacy support if no USB devices are connected. Disable option will keep USB devices available only for EFI applications and setup.
XHCI Hand-off	<b>Enabled</b> Disabled	This is a workaround for Oses without XHCI hand-off support. The XHCI ownership change should be claimed by the XHCI OS driver.
EHCI Hand-off	Enabled <b>Disabled</b>	This is a workaround for Oses without EHCI hand-off support. The EHCI ownership change should be claimed by the EHCI OS driver.
USB Mass Storage Driver Support	<b>Enabled</b> Disabled	Enable/Disable USB Mass Storage Driver Support.
Chipset USB Configuration	Submenu	
USB hardware delays and time-outs:	Info only	
USB transfer time-out	1 sec 5 sec 10 sec <b>20 sec</b>	The time-out value for Control, Bulk, and Interrupt transfers
Device reset time-out	10 sec <b>20 sec</b> 30 sec 40 sec	USB mass storage device Start Unit command time-out.
Device power-up delay	<b>Auto</b> Manual	Maximum time the device will take before it properly reports itself to the Host Controller. 'Auto' uses default value: for a Root port it is 100 ms, for a Hub port the delay is taken from Hub descriptor.
Mass Storage Devices	Info only	List current USB max storage device.

## 9.3.5.1 USB &gt; Chipset USB Configuration

Feature	Options	Description
USB Configuration	Info only	
XHCI Mode	Enabled <b>Disabled</b> Auto Smart Auto	Mode of operation of xHCI controller.
USB 2.0(EHCI) Support	Disabled <b>Enabled</b>	Control the USB EHCI (USB 2.0) functions. One EHCI controller must always be enabled.
USB Pre Port Control	<b>Enabled</b> Disabled	Control each of the USB ports (0~3). Enable: Enable USB per port; Disable: Use USB port x settings.
USB Port #0~3	<b>Enabled</b> Disabled	Enable / Disable USB Port 0-3.

## 9.3.6 Network

Feature	Options	Description
Network	Info only	
Network Stack	Enabled <b>Disabled</b>	Enable/Disable UEFI network stack.
LAN Controller	<b>Enabled</b> Disabled	Enables/Disable the PCI Express Port 3 in the Chipset.

## 9.3.7 PCI

Feature	Options	Description
PCI and PCIe	Info only	
PCI Common Settings	Info only	
PCI Latency	<b>32 PCI Bus Clocks</b> 64 PCI Bus Clocks 96 PCI Bus Clocks 128 PCI Bus Clocks 160 PCI Bus Clocks 192 PCI Bus Clocks 224 PCI Bus Clocks 248 PCI Bus Clocks	Value to be programmed into PCI latency timer register.
VGA Palette Snoop	<b>Disabled</b> Enabled	Enables or disables VGA Palette Registers Snooping.
PERR# Generation	Enabled <b>Disabled</b>	Enables or Disables PCI Device to Generate PERR#.
SERR# Geration	Enabled <b>Disabled</b>	Enables or disables PCI device to generate SERR#.

### 9.3.8 Super IO

Feature	Options	Description
Super IO Chip	Info only	
W83627DHG Super IO Configuration	Info only	
Serial Port 1 Configuration Serial Port	<b>Enabled</b> Disabled	Enable/Disable serial port (COM).
Device Settings	IO=3F8h; IRQ=4	Fixed configuration of serial port.
Change Settings	<b>Auto</b> IO=3F8h; IRQ=4 IO=3F8h; IRQ=3,4,5,6,7,10,11,12 IO=2F8h; IRQ=3,4,5,6,7,10,11,12 IO=3E8h; IRQ=3,4,5,6,7,10,11,12 IO=2E8h; IRQ=3,4,5,6,7,10,11,12	Select an optimal setting for Super IO device.
Serial Port 2 Configuration Serial Port	<b>Enabled</b> Disabled	Enable/Disable serial port (COM).
Device Settings	IO=2F8h; IRQ=3	Fixed configuration of serial port.
Change Settings	<b>Auto</b> Standard Serial Port Mode IrDA Active pulse 1.6 uS IrDA Active pulse 3/16 bit time ASKIR Mode	Select an optimal setting for Super IO device.
Parallel Port Configuration Parallel Port	<b>Enabled</b> Disabled	Enable or disable parallel port (LPT/LPTE)
Device Settings	IO=378h; IRQ=7;	Fixed configuration of parallel port.
Change Settings	<b>Auto</b> IO=378h; IRQ=5; IO=378h; IRQ=5,6,7,9,10,11,12; IO=278h; IRQ=5,6,7,9,10,11,12;	Select an optimal settings for Super IO Device.
Device Mode	IO=3BCh; IRQ=5,6,7,9,10,11,12;  <b>STD Printer Mode</b> EPP-1.9 and SPP Mode	Change the Printer Port mode.

Feature	Options	Description
	EPP-1.7 and SPP Mode ECP Mode ECP and EPP 1.9 Mode ECP and EPP 1.7 Mode	
FDC37C669SEC Super IO Configuration	Info only	
Serial Port 1 Configuration Serial Port	<b>Enabled</b> Disabled	Enable/Disable serial port (COM).
Device Settings	IO=240h; IRQ=10	Fixed configuration of serial port.
Serial Port 2 Configuration Serial Port	<b>Enabled</b> Disabled	Enable/Disable serial port (COM).
Device Settings	IO=248h; IRQ=11	Fixed configuration of serial port.
Device Mode	<b>Disable IR1 function</b> Enable IRDA(HPSIR) function Enable Amplitude Shift Keyed IR	Change the Serial Port mode. Select <High Speed> or <Normal mode> mode.
Parallel Port Configuration Parallel Port	<b>Enabled</b> Disabled	Enable or disable parallel port (LPT/LPTE).
Device Settings	IO=278h; IRQ=5;	Fixed configuration of parallel port.
Change Settings	<b>Auto</b> IO=278h; IRQ=5; IO=378h; IRQ=5,6,7; IO=278h; IRQ=5,6,7; IO=3BCh; IRQ=5,6,7;	Select an optimal settings for Super IO Device.
Device Mode	<b>STD Printer Mode</b> SPP Mode EPP-1.9 and SPP Mode EPP-1.7 and SPP Mode ECP Mode ECP and EPP 1.9 Mode ECP and EPP 1.7 Mode	Change the Printer Port mode.

### 9.3.9 ACPI and Power Management

Feature	Options	Description
ACPI and Power Management	Info only	
Enable ACPI Auto Configuration	Enabled <b>Disabled</b>	Enables or disables BIOS ACPI auto configuration.
Enable Hibernation	<b>Enabled</b> Disabled	Enables or disables system ability to hibernate (OS/S4 Sleep State). This option may be not effective with some OS.
ACPI Sleep State	Suspend Disabled <b>S3 (Suspend to RAM)</b>	Select the highest ACPI sleep state the system will enter when the SUSPEND button is pressed.
Emulation AT/ATX	Emulation AT <b>ATX</b>	Select Emulation AT or ATX function. If this option set to [Emulation AT], BIOS will report no suspend functions to ACPI OS. In windows XP, it will make OS show shutdown message during system shutdown.

### 9.3.10 Sound

Feature	Options	Description
Sound	Info only	
Azalia	Disabled <b>Enabled</b>	Control Detection of the Azalia device. Disabled = Azalia will be unconditionally disabled. Enabled = Azalia will be unconditionally enabled. Auto = Azalia will be enabled if present, disabled otherwise.
Azalia Docking Support	<b>Disabled</b> Enabled	Enable/Disable Azalia Docking Support of Audio Controller.
Azalia PME	Disabled <b>Enabled</b>	Enable/Disable Power Management capability of Audio Controller.

### 9.3.11 Serial Port Console

Feature	Options	Description
Serial Port Console	Info only	
COM0/COM1	Info only	
Console Redirection	<b>Disabled</b> Enabled	Console redirection Enable or Disable.
Console Redirection Settings	Submenu	The settings specify how the host computer and the remote computer (which the user is using) will exchange data. Both computers should have the same or compatible settings.

## 9.3.11.1 Serial Port Console &gt; Console Redirection Settings

Feature	Options	Description
COM0/COM1 Console Redirection Settings	Info only	
Terminal Type	VT100 <b>VT100+</b> VT-UTF8 ANSI	Emulation: ANSI: Extended ASCII char set. VT100: ASCII char set. VT100+: Extends VT100 to support color, function keys, etc. VT-UTF8: Uses UTF8 encoding to map Unicode chars onto 1 or more bytes.
Bits per second	9600 19200 38400 57600 <b>115200</b>	Selects serial port transmission speed. The speed must be matched on the other side. Long or noisy lines may require lower speeds.
Data Bits	7 <b>8</b>	Data bits.
Parity	<b>None</b> Even Odd Mark Space	A parity bit can be sent with the data bits to detect some transimission errors.Even:parity bit is 0 if the number of 1's in the data bits is even. Odd:parity bit is 0 if number of 1's in the data bits is odd. Mark:parity bit is always 1. Space:parity bit is always 0. Mart and Space Parity do not allow for error detection.
Stop Bits	1 <b>2</b>	Stop bits indicate the end of a serial data packet. (a start bit indicates the beginning). The standard setting is 1 stop bit.Communication with slow devices may require more than 1 stop bit.
Flow Control	<b>None</b> Hardware RTS/CTS	Flow control can prevent data loss from buffer overflow.When sending data, if the receiving buffers are full,a 'stop' signal can be sent to stop the data flow.Once the buffers are empty, a 'start' signal can be sent to re-start the flow.Hardware flow control uses two wires to send start/stop signals.
VT-UTF8 Combo Key Support	Disabled <b>Enable</b>	Enable VT-UTF8 combination key support for ANSI/VT100 terminals.
Recorder Mode	<b>Disabled</b> Enable	On this mode enabled only text will be sent. This is to capture Terminal data.
Resolution 100x31	<b>Disabled</b> Enable	Enables or disables extended terminal resolution
Legacy OS Redirection Resolution	<b>80x24</b> 80x25	On Legacy OS, the number of rows and columns supported redirection

Feature	Options	Description
Putty KeyPad	<b>VT100</b> LINUX XTERMR6 SCO ESCN VT400	Select function key and keypad on Putty.
Redirection After BIOS Post	<b>Always Enabled</b> BootLoader	The settings specify if BootLoader is selected than legacy console redirection is disabled before booting to legacy OS. Default value is Always Enable which means legacy console redirection is enabled for legacy OS.

### 9.3.12 ACPI Thermal

Feature	Options	Description
Thermal	Info only	
CPU Temperature	<b>Info only</b>	
Critical Trip Point	<b>Disabled</b> 85 C 95 C	This value controls the temperature of the ACPI Critical Trip Point - the point in which the OS will shut the system off.
Active Cooling Trip Point	Disabled 40 C 50 C 60 C 70 C <b>BMC Default</b>	Active cooling trip point.
Passive Trip Point	<b>Disabled</b> 90 C 80 C	This value controls the temperature of the ACPI critical trip point - the point in which the OS will begin throttling the processor.
Passive TC1 Value	<b>1</b>	This value sets the TC1 value for the ACPI passive cooling formula. Range 1 - 16
Passive TC2 Value	<b>5</b>	This value value sets the TC2 value for the ACPI passive cooling formula. Range 1 - 16
Passive TSP Value	<b>10</b>	This item sets the TSP value for the ACPI passive cooling formula. It represents in tenths of a second how often the OS will read the temperature when passive cooling is enabled. Range 2 - 32

### 9.3.13 Miscellaneous

Feature	Options	Description
Miscellaneous	Info only	
High Precision Timer	<b>Enabled</b> Disabled	Enable or disable the high precision event timer.
Security	Info only	
BIOS Security Configuration	Submenu	
Trusted Computing	Submenu	
Spectrum	Info only	
Display SSC	Enabled <b>Disabled</b>	Enable/Disable spread spectrum to DISPLAY clock.
PCIe SSC	Enabled <b>Disabled</b>	Enable/Disable spread spectrum to PCIe.
SATA SSC	Enabled <b>Disabled</b>	Enable/Disable spread spectrum to SATA.
Spectrum Value	<b>0.456%</b>	Adjust spectrum value.

#### 9.3.13.1 Miscellaneous > BIOS Security Configuration

Feature	Options	Description
BIOS Security Configuration	<b>Info only</b>	
Global SMI Lock	<b>Enabled</b> Disabled	Enable or disable SMI lock.

#### 9.3.13.2 Miscellaneous > Trusted Computing

Feature	Options	Description
Coniguration	Info only	
Security Device Support	Enabled <b>Disabled</b>	Enables or disables BIOS support for security device. O.S. will not show security device. TCG EFI protocol and INT1A interface will not be available.
Current Status Information	Info only	

## 9.4 Security

### 9.4.1 Password Description

Feature	Options	Description
Administrator Password	Enter password	Set Administrator Password
User Password	Enter password	Set User Password
Secure Boot menu	Submenu	Customizable secure boot settings.

### 9.4.2 Secure Boot Menu

Feature	Options	Description
System Mode	Setup	
Secure Boot	Info only	
Secure Boot	<b>Disabled</b> Enabled	Secure Boot can be enabled if 1.System running in User mode with enrolled Platform Key (PK) 2.CSM function is disabled.
Secure Boot Mode	Standard <b>Custom</b>	Secure Boot mode selector. 'Custom' Mode enables users to change Image Execution policy and manage Secure Boot keys.
Key Management	Submenu	Enable experienced user to modify Secure Boot variables (available to select when Secure Boot Mode is set to Custom)

## 9.5 Boot

### 9.5.1 Boot Configuration

Feature	Options	Description
Boot Configuration	Info only	
Setup Prompt Timeout	1	Number of seconds to wait for setup activation key.65535 (0xFFFF ) means indefinite waiting.
Bootup NumLock State	On Off	Select the keyboard Numlock state.
Quiet Boot	Disabled Enabled	Enable or disables Quiet Boot option.
Fast Boot	Disabled Enabled	Enables or disables boot with initialization of a minimal set of devices required to launch active boot option Has no effect for BBS boot optios.
WIN8 Support	Disabled Enabled	If Enabled: Some of default settings will be configured properly for Windows8. Affected item: CSM Configuration->Boot option filter Csm Configuration->Video
Boot Option Priorities	Info only	
Hard Drive BBS Priorities	Info only	
CSM Parameters	Submenu	CSM configuration: Enable/Disable, Option ROM execution settings,

### 9.5.2 CSM Parameters

Feature	Options	Description
Compatibility Support Module Configuration	Info	
CSM Support	Enabled Disable	Enable/Disable CSM support.
CSM16 Module Version	Info only	
GataA20 Active	Upon Request Always	UPON REQUEST – GA20 can be disabled using BIOS services. ALWAYS – do not allow disabling GA20; this option is useful when any RT code is executed above 1MB.
Option ROM Messages	Force BIOS Keep Current	Set display mode for Option ROM.
INT19 Trap Response	Immediate Postponed	BIOS reaction on INT19 trapping by Option ROM: IMMEDIATE - execute the trap right away; POSTPONED – execute the trap during legacy boot.

Feature	Options	Description
Boot option filter	<b>UEFI and Legacy</b> Legacy only UEFI only	This option controls Legacy/UEFI ROMs priority.
Option ROM execution order	Info only	
Network	<b>Do not launch</b> UEFI only Legacy only	Controls the execution of UEFI and Legacy PXE OpROM.
Storage	Do not launch UEFI only <b>Legacy only</b>	Controls the execution of UEFI and Legacy Storage OpROM.
Video	Do not launch UEFI only <b>Legacy only</b>	Controls the execution of UEFI and Legacy Video OpROM.
Other PCI devices	<b>UEFI only</b> Legacy only	Determines OpROM execution policy for devices other than Network, Storage, or Video.

## 9.6 Save & Exit

Feature	Options	Description
Save Changes and Exit	Yes No	Exit system setup after saving the changes.
Discard Changes and Exit	Yes No	Exit system setup without saving any changes.
Save Changes and Reset	Yes No	Reset the system after saving the changes.
Discard Changes and Reset	Yes No	Reset system setup without saving any changes.
Save Options	Info only	
Save Changes	Yes No	Save Changes done so far to any of the setup options.
Discard Changes	Yes No	Discard Changes done so far to any of the setup options.
Restore Defaults	Yes No	Restore/Load Default values for all the setup options.
Save as User Defaults	Yes No	Save the changes done so far as User Defaults.
Restore User Defaults	Yes No	Restore the User Defaults to all the setup options.
Boot Override	Info only	
Launch EFI Shell from file system device		Attempts to Launch EFI Shell application (Shell.efi) from one of the available files system devices
Reset System with ME disable mode MEUD000	Yes No	ME will run in temporary disable mode. Ignore if ME Ignition FWMEUD001

# Safety Instructions

Read and follow all instructions marked on the product and in the documentation before you operate your system. Retain all safety and operating instructions for future use.

- Please read these safety instructions carefully.
- Please keep this User's Manual for later reference.
- Read the specifications section of this manual for detailed information on the operating environment of this equipment.
- When installing/mounting or uninstalling/removing equipment, turn off the power and unplug any power cords/cables.
- To avoid electrical shock and/or damage to equipment:
  - Keep equipment away from water or liquid sources.
  - Keep equipment away from high heat or high humidity.
  - Keep equipment properly ventilated (do not block or cover ventilation openings).
  - Make sure to use recommended voltage and power source settings.
  - Always install and operate equipment near an easily accessible electrical socket-outlet.
  - Secure the power cord (do not place any object on/over the power cord).
  - Only install/attach and operate equipment on stable surfaces and/or recommended mountings.
  - If the equipment will not be used for long periods of time, turn off and unplug the equipment from its power source.
- Never attempt to fix the equipment. Equipment should only be serviced by qualified personnel.

# Getting Service

**Ask an Expert:** <http://askanexpert.adlinktech.com>

## **ADLINK Technology, Inc.**

Address: No. 66, Huaya 1st Road, Guishan District  
Taoyuan City 333, Taiwan  
Tel: +886-3-216-5088  
Fax: +886-3-328-5723  
Email: [service@adlinktech.com](mailto:service@adlinktech.com)

## **Ampro ADLINK Technology, Inc.**

Address: 6450 Via Del Oro, San Jose, CA 95119-1208, USA  
Tel: +1-408-360-0200  
Toll Free: +1-800-966-5200 (USA only)  
Fax: +1-408-600-1189  
Email: [info@adlinktech.com](mailto:info@adlinktech.com)

## **ADLINK Technology (China) Co., Ltd.**

Address: 300 Fang Chun Rd., Zhangjiang Hi-Tech Park, Pudong New Area  
Shanghai, 201203 China  
Tel: +86-21-5132-8988  
Fax: +86-21-5132-3588  
Email: [market@adlinktech.com](mailto:market@adlinktech.com)

## **ADLINK Technology GmbH**

Address: Hans-Thoma-Strasse 11, D-68163, Mannheim, Germany  
Tel: +49-621-43214-0  
Fax: +49-621 43214-30  
Email: [emea@adlinktech.com](mailto:emea@adlinktech.com)

Please visit the Contact page at [www.adlinktech.com](http://www.adlinktech.com) for information on how to contact the ADLINK regional office nearest you.